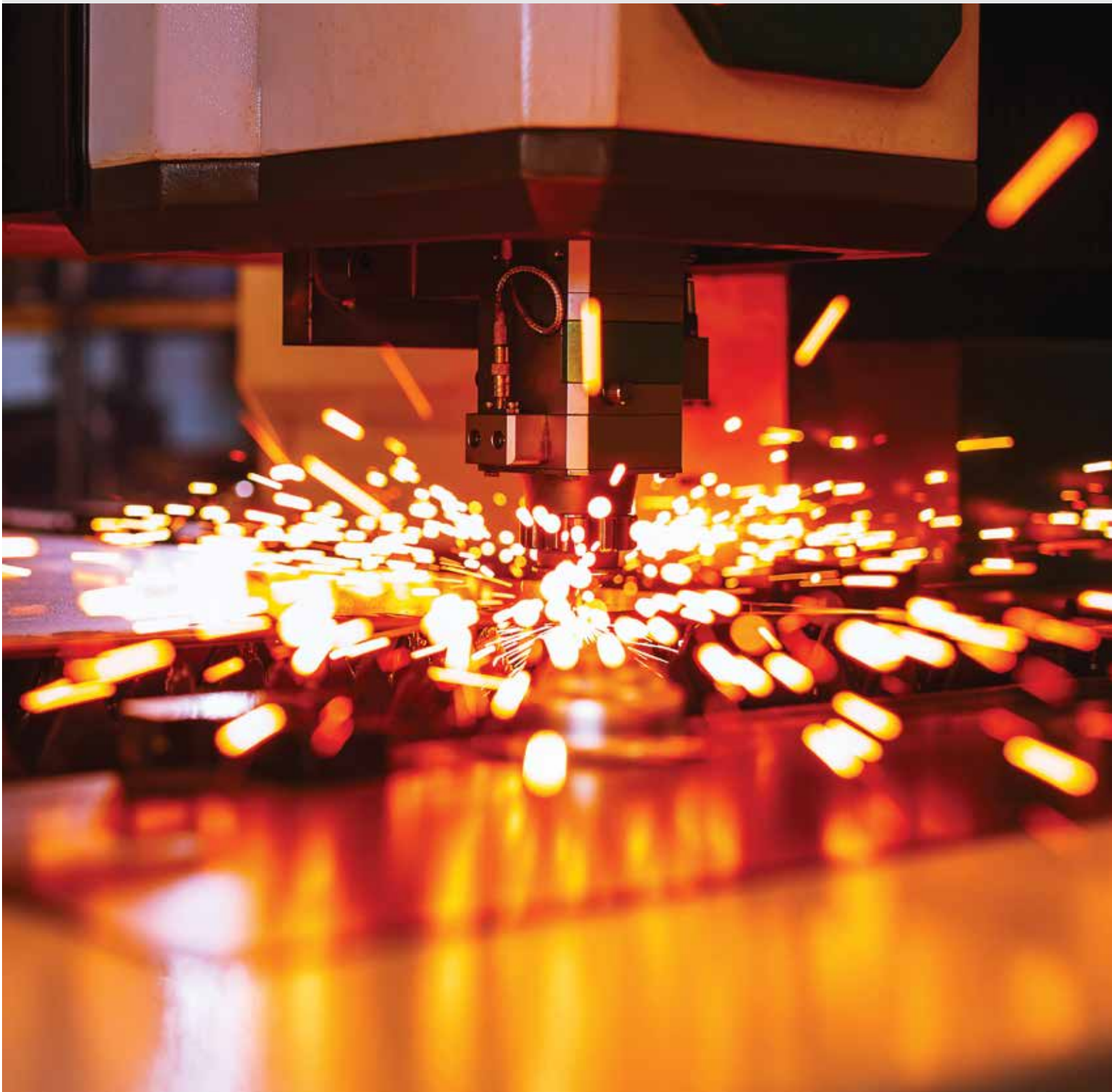


2024 catalog

For CO₂ and fiber laser consumables

Replacement parts suitable for Precitec[®]



Centricut delivers

- OEM quality nozzles, ceramics and optics
- Technical and application support from our OEM-trained technicians
- 100% satisfaction guarantee



CO₂ and fiber laser nozzles

Nozzle options

All Centricut nozzles are engineered and manufactured to the highest standards. Select the OEM quality nozzle best suited for your application needs

Copper

Most commonly used nozzle offering good durability and nozzle life. Primary nozzle type for fiber lasers.

Chrome plated

Shiny, mirror-like finish provides increased spatter resistance, improved durability and longer life than copper nozzles. Not recommended for use on fiber lasers.

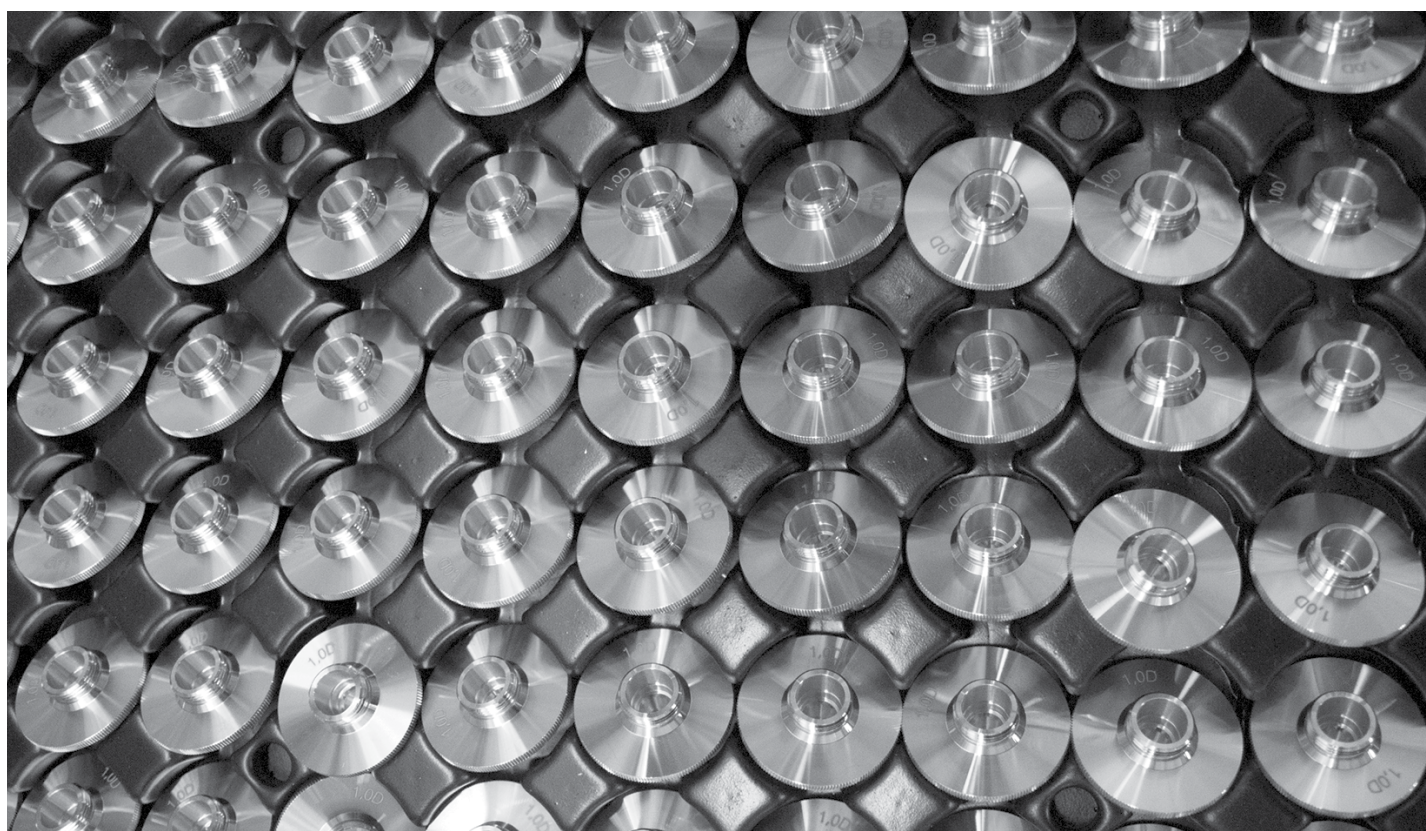
Look for CP in the part number to identify a chrome plated nozzle

Hard chrome plated

Premium nozzles offering the highest level of durability and longest nozzle life. These nozzles are not as shiny as chrome plated and have a dull appearance. Not recommended for use on fiber lasers.

Look for HCP in the part number to identify a hard chrome nozzle.

CP (chrome plated)	Nozzles plated with chrome for increased durability. These nozzles are easier to clean, resist damage due to 'tip-ups' and have better spatter resistance over non-plated nozzles. For use in all laser cutting applications.
Conical	Conical internal geometry for high pressure, non-ferrous cutting applications using nitrogen, air or argon.
Cylindrical	Cylindrical internal geometry for low pressure, mild steel cutting applications using oxygen.
Double	Insert pressed into a standard cylindrical nozzle for improved edge quality, laminar gas flow and spatter resistance. Primarily used in mild steel applications.
HCP (hard chrome plated)	Enhanced durability chrome plated nozzles. These nozzles are easier to clean, resist damage due to 'tip-ups' and have better spatter resistance over non-plated nozzles. For use in all laser cutting applications.
HP (high pressure) HD (high density)	Conical style nozzle for high pressure, non-ferrous cutting applications using nitrogen, air or argon.
Inner	Also referred to as a 'nozzle insert'. Works in conjunction with an outer nozzle to create a double nozzle. Primarily used in mild steel applications.
Low pressure	Cylindrical style nozzle for low pressure, mild steel cutting applications using oxygen.
Outer	Works in conjunction with an inner nozzle to create a double nozzle. Primarily used in mild steel applications.
Shower	Nozzles with a center orifice surrounded by smaller jets. The smaller jets focus the assist gas into the kerf, creating improved edge quality and the ability to cut thicker material. Primarily used in mild steel applications.



CO₂ and fiber laser optics

Optics key

Lens	
MEN	Meniscus
PLX	Plano-convex
MTD	Mounted
Not MTD	Not mounted
PO	Plano
MP5 or ULA	Ultra low absorption
AR	Anti-reflection
ZNSE	Zinc selenide
FS	Fused silica
DIA	Diameter
FL	Focal length
ET	Edge thickness
WD	Working distance

How to handle optics

Follow these easy steps, when cleaning or changing your optic, to help maximize the life and performance of your lens

- Avoid touching coated surfaces of the lens and hold the optic by its sides
- Wear powder-free finger cots or latex gloves when handling
- Do not use any tools or sharp objects when handling the optic or when removing it from its packaging
- Ensure the work surface is clean and free of oils, grease and dirt
- Do not place the optic on hard surfaces as they scratch easily
- Once the optic has been unpacked, carefully place it on the lens tissue in which it was originally wrapped

Optics disposal

It is important to dispose of used laser optics at a licensed industrial waste facility which is in compliance with all local, state, and federal regulations. If you don't have access to a licensed industrial waste facility, and purchased your laser optics through Centricut, you may return them to Centricut for proper disposal. This service is only available to Centricut customers.

All optics returned to Centricut must:

- Include return authorization and invoice numbers
- Be sealed in a plastic bag to minimize any hazards
- Remove excess ZnSe powder prior to sealing

*Acceptance of goods will be refused if not packaged correctly or if the return authorization number isn't included



Centricut part number	Reference number	Type	Material	Diameter	Focal length	Edge thickness
Fiber laser lens						
NT375-7955		PLX	FS	30 mm	123 mm	3.82 mm
TR300-9799	1869799	PLX	FS	30 mm	146 mm	8.0 mm
TR300-3107	1603107	PLX	FS	40 mm	150 mm	8.0 mm
AM313-0238	7710238, 71565737	PLX	FS	50.8 mm	190 mm	11.4 mm
SA384-0022	316-301-0022, 970128	PLX	FS	25.4 mm	200 mm	6.35 mm
SA384-0026	316-301-0026, ESTFL02119	PLX	FS	38.1 mm	210 mm	6.35 mm
PR361-8988NM	968988, 344631	PLX	FS	1.5"	5.0"	.280"
MB312-8858		PLX	FS	2.0"	7.5"	.45"
PR361-0773	970773/M15-15-B X-SP-7MM	PLX MTD	FS	1.5"	5.0"	.275"
PR361-8988	LH968988PVL, 576.41.005	PLX MTD	FS	1.5"	5.0"	.280"

Centricut part number	Reference number	Material	Diameter	Edge thickness
Fiber laser windows				
PT317-1424	P0588-1022-00001	FS	21.5 mm	2.0 mm
PT317-0589	970397, 6930003260, P0589-360-00002, R26RT006410, R26ZC90110	FS	22.35 mm	4.0 mm
PT317-9360	6930003260, P0589-360-00001	FS	22.35 mm	4.0 mm
MB312-2336	632336-117	FS	25.4 mm	4.0 mm
RT300-0035	211LCG0035, 211LCG0037	FS	27.9 mm	4.1 mm
PT317-0010	P0253-1034-00001	FS	30.0 mm	1.5 mm
TR300-6719	766719, P0795-1201-00002	FS	30.0 mm	5.0 mm
SA384-0007	316-304-0007, ESTFL001407, 632755-117	FS	32.0 mm	6.35 mm
BY314-5979	10086368, 10071591, 5335979	Sapphire	34.0 mm	2.8 mm
TR300-4767	1614767	FS	34.0 mm	4.9 mm
PR361-0089	1057.81000.089	FS	35.0 mm	1.5 mm
BY314-5746	968752, 10045746, 10-02-01-5511	QTZ	36.0 mm	5.0 mm
PR361-0474	970474	FS	37.0 mm	4.0 mm
PT317-1551	P0595-61551, P0595-58601-61551	FS	37.0 mm	7.0 mm
PT317-1425	SCR-01	FS	38.0 mm	5.2 mm
CN307-3987	913987, 71598028	FS	38.1 mm	1.6 mm
MZ315-6850	Z50ZZ016850	FS	42.0 mm	9.0 mm
MZ315-5350	Z50SA015350, W495	FS	42.0 mm	9.0 mm
AM313-1308	71571308, 5172635	FS	45.0 mm	3.0 mm
PT317-5919	77005919	FS	48.0 mm	7.0 mm
PT317-1789	284.0402, 971789, 717062	FS	50.0 mm	3.18 mm
MB312-0137	633744-137	FS	50.0 mm	8.0 mm
AM313-0026	71570026	FS	OCTAGONAL	1.5 mm

Centricut is not affiliated with the named manufacturers. Reference to machines, parts, descriptions, and model numbers are for convenience in verifying compatibility only. All parts are made by or for Centricut and are not made by the referenced manufacturers (unless expressly indicated). Centricut is a registered trademark of Hypertherm, Inc. All other trademarks are the properties of their respective owners.

Centricut part number	Reference number	Type	Material	Diameter	Focal length	Edge thickness
CO ₂ lenses						
TR300-0115 (Cut - No RFID)		MEN	ZNSE	1.969"	4.528"	.350"
TR300-0130 (Cut - No RFID)	400130LMA , 0380117, D40 Cut, 630790-117	MEN	ZNSE	1.575"	5.118"	.295"
TR300-8123	518123	MEN	ZNSE	1.575"	6.102"	.295"
TR300-0175 (Cut - No RFID)	1330448, 62440	MEN	ZNSE	1.969"	6.89"	.350"
TR300-0250 (Cut - No RFID)	400250LMA, 0380115, D40 Cut, 630789-117	MEN	ZNSE	1.575"	9.842"	.295"
TR300-2500 (Cut - No RFID)	1330443, 62439	MEN	ZNSE	1.969"	9.842"	.350"
LL342-1819	166634, 61819	MEN	ZNSE	1.1"	5.0"	.236"
TR300-0163	350163, 861143, LMZ1.5-0.29-10.00-2048	MEN	ZNSE	1.5"	10.0"	.290"
TR300-6477	726477	MEN	ZNSE	1.5"	10.0"	.354"
BY314-0185	4-00185, 4-00372, 142375, 60603	MEN	ZNSE	1.5"	3.75"	.236"
TR300-6104	346104, 61962, 831393	MEN	ZNSE	1.5"	3.75"	.290"
BY314-0736	414323, 4-10736	MEN	ZNSE	1.5"	3.75"	.354"
BY314-0186	60260, 507790, 4-00186, 110111	MEN	ZNSE	1.5"	5.0"	.236"
TR300-8114	088114, 60696, 406294, 110109, 61014, 658108, 29100023, 6930001002	MEN	ZNSE	1.5"	5.0"	.290"
BY314-5094	767963, 60615, 4-05094, 110113, 358186, 62710	MEN	ZNSE	1.5"	5.0"	.354"
PR361-0004	62709, 621644, 120216	MEN	ZNSE	1.5"	5.0"	.354"
PT317-0001	61851, 312370	MEN	ZNSE	1.5"	7.5"	.125"
BY314-0187	784964, 60602, 4-00187, 110112	MEN	ZNSE	1.5"	7.5"	.236"
TR300-7517	097517, 60697, 702232, 110110, 61983	MEN	ZNSE	1.5"	7.5"	.290"
LL342-1171	61171	MEN	ZNSE	1.5"	7.5"	.310"
BY314-5095	60616, 4-05095, 570721, 110114, 361129	MEN	ZNSE	1.5"	7.5"	.354"
BY314-8637	698637	MEN	ZNSE	1.5"	7.5"	.354"
TR300-1972	61961, 141972, 977976	MEN	ZNSE	1.5"	8.85"	.290"
TR300-8123	518123	MEN	ZNSE	1.575"	6.102"	.295"
LV333-0176	480176, 29100115	MEN	ZNSE	1.75"	5.0"	.354"
LV333-1551	981551, LMZ2.0-0.380-10.0-2053, 29100061S	MEN	ZNSE	2.0"	10.0"	.380"
PT317-6326	206326	MEN	ZNSE	2.0"	5.0"	.378"
LV333-1004	458138, LMZ2.0-0.380-5.00-2051, PLLMZ0024, 29100154	MEN	ZNSE	2.0"	5.0"	.380"
CN307-2376	61405, 695399, 922376, 60698, 29100055	MEN	ZNSE	2.0"	7.5"	.380"
AM313-0305	61161, 81140305, LPCZ-1.10-0.16-5.0-1044, PLLPZ0132, 561067	PLX	ZNSE	1.1"	5.0"	.160"
AM313-6602	726602	PLX	ZNSE	1.1"	7.5"	.160"
AM313-0657	600657, 71502030, LPCZ-1.5-0.30-10.0-1128	PLX	ZNSE	1.5"	10.0"	.300"
TK374-2235	312235	PLX	ZNSE	1.5"	12.5"	.300"
PT317-8950	148950	PLX	ZNSE	1.5"	2.5"	.085"
MZ315-0130	60830, Z50MB000130, 962834, 766479	PLX	ZNSE	1.5"	5.0"	.118"
TR300-0002	61163, LMZ1.5-0.16-5.00-2043, 706491, 907557, PLCZ-1.5-0.16-5.0-1116	PLX	ZNSE	1.5"	5.0"	.160"
MZ315-0160	60770, 227092, Z50MB000130H, LPCZ-1.5-0.236-5.0-1122, 834-319-002	PLX	ZNSE	1.5"	5.0"	.236"
PR361-9011	834-319-011, 60905, 658108, ZC15500300, Z50MB000400, 578662, MLL00016	PLX	ZNSE	1.5"	5.0"	.300"
MB312-500	W500, 60905, 110144, LPCZ-1.5-0.30-5.0-1125, PLLPZ0132	PLX	ZNSE	1.5"	5.0"	.310"
CN307-8085	941031, 61001, 908085, ZC15513280, 110092, PLLPZ0033	PLX	ZNSE	1.5"	5.0"WD	.280"
PR361-0003	60784, LPCZ-1.5-0.236-7.5-1123	PLX	ZNSE	1.5"	7.5"	.236"
PR361-9012	834-319-012, 60906, 618938, 306068, 741363, 60882, 299133, 71501070NM, 62649	PLX	ZNSE	1.5"	7.5"	.300"
MB312-018	60906, W018, 383862, 60906LA, W018, 62649ULA, 383862, 62649LA	PLX	ZNSE	1.5"	7.5"	.310"
CN307-9484	909484, 61002, 464497, 100096, LPCZ-1.5-0.280-5.13-1007, PLLPZ0052	PLX	ZNSE	1.5"	7.5"WD	.280"
PT317-8275	628275, W502A, 630736-117	PLX	ZNSE	2.0"	10.0"	.310"
PT317-0537	960537	PLX	ZNSE	2.0"	10.0"	.380"
CN307-4498	154498, 926274	PLX	ZNSE	2.0"	10.0"WD	.380"
TK374-7338	197338	PLX	ZNSE	2.0"	11.25"	.310"
MZ315-5980	145980	PLX	ZNSE	2.0"	5.0"	.300"
MB312-505	W505, 110169, PLLPZ0162, 304725, 61003, Z50ZZ005160	PLX	ZNSE	2.0"	5.0"	.310"
MZ315-0516A	61019, Z50ZZ00516A, Z50ZZ013480, 81140307, 741363	PLX	ZNSE	2.0"	5.0"	.380"

Centricut is not affiliated with the named manufacturers. Reference to machines, parts, descriptions, and model numbers are for convenience in verifying compatibility only. All parts are made by or for Centricut and are not made by the referenced manufacturers (unless expressly indicated). Centricut is a registered trademark of Hypertherm, Inc. All other trademarks are the properties of their respective owners.

Centricut part number	Reference number	Type	Material	Diameter	Focal length	Edge thickness
CO ₂ lenses (continued)						
MZ315-3480HA	158039, Z50ZZ013480 HIGH ACCURACY	PLX	ZNSE	2.0"	5.0"	.380"
CN307-0676	870676, 61514, LPCZ-2.0-0.38-5.19-1141, PLLPZ0116	PLX	ZNSE	2.0"	5.0"WD	.380"
MZ315-3470HA	769062, Z50ZZ013470 HIGH ACCURACY	PLX	ZNSE	2.0"	7.5"	.380"
NT375-4494	634494, LPCZ-2.0-0.30-7.5-1133	PLX	ZNSE	2.0"	7.5"	.300"
MB312-510	W510, 61004, 892020, 110122, PLLPZ0138	PLX	ZNSE	2.0"	7.5"	.310"
MZ315-0520A	61405, 232771, Z50ZZ00520A, MLL00018, Z50ZZ005200, Z50ZZ013470, 81140186	PLX	ZNSE	2.0"	7.5"	.380"
CN307-1603	61515, 781603, LPCZ-2.0-0.38-7.67-1143, PLLPZ0115	PLX	ZNSE	2.0"	7.5" WD	.380"
TK374-3478	541344, 263478, Z50ZZ00530A, LPCZ-2.0-0.31-7.45-1137	PLX	ZNSE	2.0"	8.75"	.310"
TK374-6670	236670, 61690, Z50ZZ00550A	PLX	ZNSE	2.5"	10.0"	.390"
TK374-1592	178937	PLX	ZNSE	2.5"	11.25"	.310"
TK374-8593	828593	PLX	ZNSE	2.5"	12.5"	.390"
TK374-3827	243827, Z50ZZ00540A, LPCZ-2.5-0.31-8.75-1145	PLX	ZNSE	2.5"	8.75"	.310"
AM313-0221	81140221, 6067639	PLX MTD	ZNSE	1.5"	3.75"	.300"
AM313-0306	81140306, 65024, 578662/M16-15-1C-P5.0, PLLPZ0133, 6874793	PLX MTD	ZNSE	1.5"	5.0"	.300"
AM313-1216	578662/M20-15-1C-P5.0, 9001216A, 71501072, 7973109, 6360374	PLX MTD	ZNSE	1.5"	5.0"	.300"
AM313-8662	578662/M21-15-1C-P5.0, 6060415	PLX MTD	ZNSE	1.5"	5.0"	.300"
AM313-9830	65101, 578662, 6547252	PLX MTD	ZNSE	1.5"	5.0"	.300"
AM313-1215	9001215A, 306068/M21-15-1C-P7.5, 7973110, 71501070, 6395647	PLX MTD	ZNSE	1.5"	7.5"	.300"
AM313-9831	71369831, 65102, 6550214	PLX MTD	ZNSE	1.5"	7.5"	.300"
AM313-10F1	680154-001, 71710061, 6021844	PLX MTD	ZNSE	2.0"	10.0"	.380"
AM313-0307	65035, 81140307, 741363, 6068456	PLX MTD	ZNSE	2.0"	5.0"	.380"
AM313-50F1	71710059, 741363M30-20-1C-P5.0, 6296946	PLX MTD	ZNSE	2.0"	5.0"	.380"
AM313-0400	306068, 65025, 81140400, 6022704	PLX MTD	ZNSE	2.0"	7.5"	.300"
AM313-0186	65038, 81140186, PLLPZ0156, 6068413	PLX MTD	ZNSE	2.0"	7.5"	.380"
AM313-75F1	232771M31-20-1C-P7.5, 71710030, 6243925	PLX MTD	ZNSE	2.0"	7.5"	.380"
BY314-7014MP5	460386, 4-07014	MEN	ZNSE MP5	1.5"	10.0"	.354"
BY314-0186MP5	4-00186, 528717, 60260LA	MEN	ZNSE MP5	1.5"	5.0"	.236"
TR300-8114MP5	60696LA, 312503, 29100023, 88114, PLLPZ0125B	MEN	ZNSE MP5	1.5"	5.0"	.290"
BY314-5094MP5	123397, 4-07475, 60615LA, LMZ1.5-0.354-5.0-2008	MEN	ZNSE MP5	1.5"	5.0"	.354"
BY314-0187MP5	714512, 60602LA, 4-00187	MEN	ZNSE MP5	1.5"	7.5"	.236"
TR300-7517MP5	60697LA, 97517, 474644, PLLPZ0126B	MEN	ZNSE MP5	1.5"	7.5"	.290"
BY314-5095MP5	602033, 60616LA, 4-07476, LMZ1.5-0.354-7.5-2009, PLLPZ0130B, 62710	MEN	ZNSE MP5	1.5"	7.5"	.354"
BY314-8294MP5	996707, 10048294	MEN	ZNSE MP5	1.5"	9.0"	.354"
HW405-4913	114913	MEN	ZNSE MP5	2.0"	10.0"	.379"
HW405-5270	355270	MEN	ZNSE MP5	2.0"	5.0"	.378"
HW405-7143	527143, 467572, 60698LA, 291005-5, 308332, PLLMZ0025B	MEN	ZNSE MP5	2.0"	7.5"	.379"
MZ315-0160MP5	60770LA, 857048, Z50MB000160	PLX	ZNSE MP5	1.5"	5.0"	.236"
MZ315-0400MP5	106106, PLLPZ0132B, 60905LA, Z50MB000400, 62670ULA	PLX	ZNSE MP5	1.5"	5.0"	.300"
CN307-8085MP5	61001LA, 794914, 908085,	PLX	ZNSE MP5	1.5"	5.0"WD	.280"
MB312-018MP5	383862	PLX	ZNSE MP5	1.5"	7.5"	.300"
CN307-9484MP5	PLLPZ0052B	PLX	ZNSE MP5	1.5"	7.5"WD	.315"
MB312-505MP5	61003LA, 922203, W505	PLX	ZNSE MP5	2.0"	5.0"	.310"
AM313-0307NMP5	81140307, 61019LA, 753010	PLX	ZNSE MP5	2.0"	5.0"	.380"
CN307-0211MP5	540211, 61019LA, 922377	PLX	ZNSE MP5	2.0"	5.0"WD	.380"
MB312-510MP5	61004LA, 635061, W510,	PLX	ZNSE MP5	2.0"	7.5"	.310"
CN307-2376MP5	329011, 922376, 61515ULA,	PLX	ZNSE MP5	2.0"	7.5"	.380"
MZ315-0520AMP5	392125, 61405LA, Z50ZZ000520A, PLLPZ0135B, 81140186 61405ULA	PLX	ZNSE MP5	2.0"	7.5"	.380"

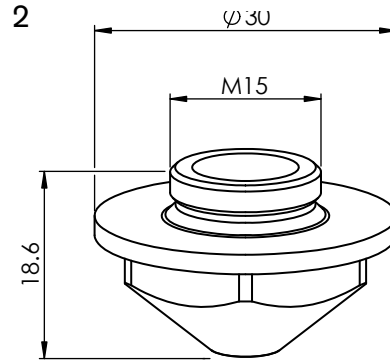
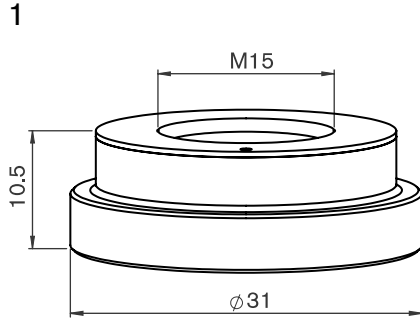
Centricut is not affiliated with the named manufacturers. Reference to machines, parts, descriptions, and model numbers are for convenience in verifying compatibility only. All parts are made by or for Centricut and are not made by the referenced manufacturers (unless expressly indicated). Centricut is a registered trademark of Hypertherm, Inc. All other trademarks are the properties of their respective owners.

Centricut part number	Reference number	Type	Material	Diameter	Focal length	Edge thickness
CO ₂ lenses (continued)						
AM313-0306MP5	65024LA, 81140306, 106106, M16-15-1C-P5.0, 6936448	PLX MTD	ZNSE MP5	1.5"	5.0"	.300"
AM313-1216MP5	106106, M20-15-1C-P5.0, 6071896	PLX MTD	ZNSE MP5	1.5"	5.0"	.300"
AM313-9830MP5	71369830, 106106, 65101LA, 106106/M16-15-1C-P5.0-A2-NI-1A	PLX MTD	ZNSE MP5	1.5"	5.0"	.300"
AM313-0400MP5	65025LA, 383862/M16-15-1C-P7.5-A2-NI-1A, 81140400, 383862	PLX MTD	ZNSE MP5	1.5"	7.5"	.300"
AM313-1215MP5	M21-15-1C-P7.5, 383862, 6071853	PLX MTD	ZNSE MP5	1.5"	7.5"	.300"
AM313-9831MP5	65102LA, 71369831, 383862	PLX MTD	ZNSE MP5	1.5"	7.5"	.300"
AM313-0307MP5	81140307, M16-20-1C-P5.0, 753010, 65035LA, 753010M16-20-1C-P5.0	PLX MTD	ZNSE MP5	2.0"	5.0"	.380"
AM313-0186MP5	392125, 65038LA, M16-20-1C-P7.5, 81140186, 6816292	PLX MTD	ZNSE MP5	2.0"	7.5"	.380"

Accessories

Centricut part number	Reference number	Description	Pkg qty
TR300-6452		Lens cleaning Tiffen paper (50 pcs)	1
TR300-1115		Lens cleaning pre-cut cotton (100 pcs)	1
TR300-1010		Dropper, lens cleaning fluid	1
TR300-1112		Optical cleaning fluid	1
TR300-0699	70675699 REVA	Lens cleaning swabs (25 pcs)	1
TR300-7991	27991	Polyester wipes 4" x 4" (100 pcs)	1
TR301-0282		Injector	1
TR300-LSA		Lens stress analyzer	1
TR300-255		Magnifying loop	1
TR300-271		Base, mirror maintenance	1
TR300-7388	787388	Mirror polish .1UM 250ML	1
MZ335-115	AL1115/M	MZ-Wire, Indium .8 mm x 125 mm 1.5" Lens	1
MZ335-120	AL1120/M	MZ-Wire, Indium .8 mm x 160 mm 2.0" Lens	1

Centricut is not affiliated with the named manufacturers. Reference to machines, parts, descriptions, and model numbers are for convenience in verifying compatibility only. All parts are made by or for Centricut and are not made by the referenced manufacturers (unless expressly indicated). Centricut is a registered trademark of Hypertherm, Inc. All other trademarks are the properties of their respective owners.

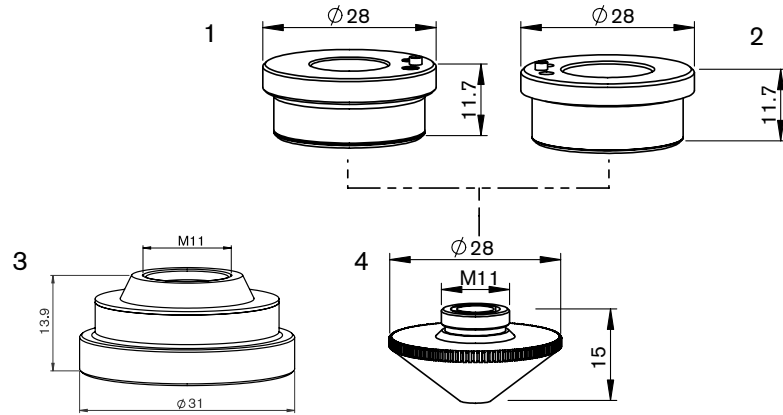


Consumables

	Centricut part number	Esse A part number	Reference number	Description	Pkg qty
1	PT400-2036	AL565	P0595-92036	PT-Nozzle holder KTX	1
	PT400-4263X	L307110	P0595-94263	PT-Nozzle, KTX 1.0 mm 10pack	10
	PT400-2688X	L307112	P0595-92688	PT-Nozzle, KTX 1.2 mm 10pack	10
	PT400-2733X	L307115	P0595-92733	PT-Nozzle, KTX 1.5 mm 10pack	10
	PT400-2734X	L307117	P0595-92734	PT-Nozzle, KTX 1.7 mm 10pack	10
	PT400-2735X	L307120	P0595-92735	PT-Nozzle, KTX 2.0 mm 10pack	10
	PT400-2736X	L307125	P0595-92736	PT-Nozzle, KTX 2.5 mm 10pack	10
	PT400-2737X	L307130	P0595-92737	PT-Nozzle, KTX 3.0 mm 10pack	10
	PT400-2738X	L307135	P0595-92738	PT-Nozzle, KTX 3.5 mm 10pack	10
	PT400-2739X	L307140	P0595-92739	PT-Nozzle, KTX 4.0 mm 10pack	10
	PT400-2741X	L307150	P0595-92741	PT-Nozzle, KTX 5.0 mm 10pack	10
	PT400-2868X	L307208	P0595-92868	PT-Nozzle double, KTX 0.8 mm 10pack	10
2	PT400-2871X	L307210	P0595-92871	PT-Nozzle double, KTX 1.0 mm 10pack	10
	PT400-2879X	L307212	P0595-92879	PT-Nozzle double, KTX 1.2 mm 10pack	10
	PT400-2881X	L307214	P0595-92881	PT-Nozzle double, KTX 1.4 mm 10pack	10
	PT400-2883X	L307215	P0595-92883	PT-Nozzle double, KTX 1.5 mm 10pack	10
	PT400-2886X	L307218	P0595-92886	PT-Nozzle double, KTX 1.8 mm 10pack	10
	PT400-2901X	L307220	P0595-92901	PT-Nozzle double, KTX 2.0 mm 10pack	10
	PT400-2904X	L307223	P0595-92904	PT-Nozzle double, KTX 2.3 mm 10pack	10
	PT400-2906X	L307225	P0595-92906	PT-Nozzle double, KTX 2.5 mm 10pack	10
	PT400-2909X	L307230	P0595-92909	PT-Nozzle double, KTX 3.0 mm 10pack	10
	PT400-2911X	L307235	P0595-92911	PT-Nozzle double, KTX 3.5 mm 10pack	10
	PT400-2913X	L307240	P0595-92913	PT-Nozzle double, KTX 4.0 mm 10pack	10
	PT400-2915X	L307245	P0595-92915	PT-Nozzle double, KTX 4.5 mm 10pack	10
	PT400-2917X	L307250	P0595-92917	PT-Nozzle double, KTX 5.0 mm 10pack	10

Centricut is not affiliated with the named manufacturers. Reference to machines, parts, descriptions, and model numbers are for convenience in verifying compatibility only. All parts are made by or for Centricut and are not made by the referenced manufacturers (unless expressly indicated). Centricut is a registered trademark of Hypertherm, Inc. All other trademarks are the properties of their respective owners.

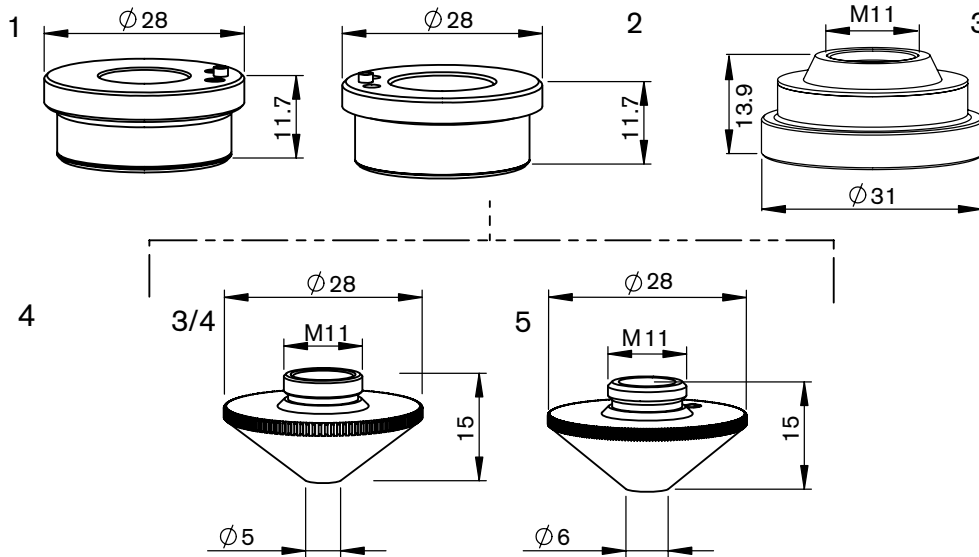
For Adige, Durma, Ermaksan, Finn Power, GHT and Salvagnini systems



Consumables

	Centricut part number	Esse A part number	Reference number	Description	Pkg qty
1	PT348-1052 Recommended	AL495	P0571-1051-00001, 6930281333, 055456	PT-Nozzle holder KT B2" Con	1
	PT348-1053	AL380	P0571-1051-00001, 6930281333, 055456	PT-Nozzle holder KT B2 Con	1
	PT348-1051 OEM original	AL355	P0571-1051-00001, 6930281333, 055456	PT-Nozzle holder KT B2" Con	1
2	PT348-1330 Recommended	AL131	281330, P0571-260-00001, 6930281330	PT-Nozzle holder KT B2	1
	PT348-0260	AL421	281330, P0571-260-00001, 6930281330	PT-Nozzle holder KT B2	1
	PT348-1330OEM OEM original	AL23	281330, P0571-260-00001, 6930281330	PT-Nozzle holder KT B2	1
3	PT400-4097 NEW	AL566	P0595-94097	PT-Nozzle holder KT XB	1
4	PT358-0010X	L30660	P40-008038-001, P0591-002-00010	PT-Nozzle double, 1.0 mm/inner 1.5 mm (10 pk)*	10
	PT358-0112X	L30661-12		PT-Nozzle double, 1.2 mm/inner 1.2 mm (10 pk)*	10
	PT358-0125X	L30661	P0591-002-00012, P40-008038-002	PT-Nozzle double, 1.2 mm/inner 1.5 mm (10 pk)*	10
	PT358-0124X	L30672		PT-Nozzle double, 1.4 mm/inner 1.5 mm (10 pk)*	10
	PT358-0015X	L30662	P40-008038-003, P0591-002-00015	PT-Nozzle double, 1.5 mm/inner 1.5 mm (10 pk)*	10
	PT358-0018X	L30663	P40-008038-004, P0591-002-00018	PT-Nozzle double, 1.8 mm/inner 1.5 mm (10 pk)*	10
	PT358-0011X	L30971		PT-Nozzle double, 1.6 mm/inner 1.5 mm (10 pk)	10
	PT358-0020X	L30664	P0591-002-00020, P40-008038-005	PT-Nozzle double, 2.0 mm/inner 1.5 mm (10 pk)*	10
	PT358-0418	L664-18		PT-Nozzle double, 2.0 mm/inner 1.8 mm	1
	PT358-0420X	L30664-20		PT-Nozzle double, 2.0 mm inner 2.0 mm (10 pk)	10
	PT358-0620X	L30666-20		PT-Nozzle double, 2.5 mm/inner 2.0 mm (10 pk)*	10
	PT358-0720X	L30667-20		PT-Nozzle double, 3.0 mm/inner 2.0 mm (10 pk)*	10
	PT358-0023X	L30665	P0591-002-00023, P40-008038-006	PT-Nozzle double, 2.3 mm/inner 1.5 mm (10 pk)*	10
	PT358-0007X	L30666	P40-008038-007, P0591-002-00025	PT-Nozzle double, 2.5 mm/inner 1.5 mm (10 pk)*	10
	PT358-0030X	L30667	P40-008038-008, P0591-002-00030, 29100382	PT-Nozzle double, 3.0 mm/inner 1.5 mm (10 pk)*	10
	PT358-0035X	L30668	P40-008038-009, P0591-002-00035, 29100384	PT-Nozzle double, 3.5 mm/inner 1.5 mm (10 pk)*	10
	PT358-0010CPX	L30660X		PT-Nozzle double, 1.0 mm/inner 1.5 mm CP (10 pk)*	10
	PT358-0125CPX	L30661X		PT-Nozzle double, 1.2 mm/inner 1.5 mm CP (10 pk)*	10
	PT358-0124CPX	L30672X		PT-Nozzle double, 1.4 mm/inner 1.5 mm CP (10 pk)*	10
	PT358-0015CPX	L30662X		PT-Nozzle double, 1.5 mm/inner 1.5 mm CP (10 pk)*	10
	PT358-0018CPX	L30663X		PT-Nozzle double, 1.8 mm/inner 1.5 mm CP (10 pk)*	10
	PT358-0020CPX	L30664X		PT-Nozzle double, 2.0 mm/inner 1.5 mm	10
	PT358-0025CPX	L30666X		PT-Nozzle double, 2.5 mm/inner 1.5 mm CP (10 pk)*	10
	PT358-0030CPX	L30667X		PT-Nozzle double, 3.0 mm/inner 1.5 mm CP (10 pk)*	10
	PT358-0035CPX	L30668X		PT-Nozzle double, 3.5 mm/inner 1.5 mm CP (10 pk)*	10
	PT358-0040X	L30840	P0591-002-00040, P40-008038-010	PT-Nozzle double, 4.0 mm/inner 1.5 mm (10 pk)*	10
	PT358-0040CP	L840X		PT-Nozzle double, 4.0 mm/inner 1.5 mm CP	10
	PT358-0045X	L30841	P40-008038-011	PT-Nozzle double, 4.5 mm/inner 1.5 mm (10 pk)*	10
	PT358-0045CPX	L30841X		PT-Nozzle double, 4.5 mm/inner 1.5 mm CP (10 pk)*	10
	PT358-0050X	L30861	P0591-002-00050, P40-008038-012	PT-Nozzle double, 5.0 mm/inner 1.5 mm (10 pk)*	10
	PT358-0050CP	L861X		PT-Nozzle double, 5.0 mm/inner 1.5 mm	1
	PT358-1925	L1925		PT-Nozzle double Penta, 1.0 mm	1
	PT358-1926	L1926		PT-Nozzle double Penta, 1.2 mm	1
	PT358-1927	L1927		PT-Nozzle double Penta, 1.5 mm	1
	PT358-1928	L1928		PT-Nozzle double Penta, 2.0 mm	1
	PT358-1929	L1929		PT-Nozzle double Penta, 2.5 mm	1
	PT358-1930	L1930		PT-Nozzle double Penta, 3.0 mm	1
	PT358-1931	L1931		PT-Nozzle double Penta, 3.5 mm	1
	PT358-1932	L1932		PT-Nozzle double Penta, 4.0 mm	1
	PT358-1933	L1933		PT-Nozzle double Penta, 4.5 mm	1

* Centricut parts available in single packs. To order single packs, remove the 'X' at the end of the part number (e.g. AM123-4567X would be AM123-4567).
For Esse A parts available in single packs. To order single packs, remove the '30' after the L in the part number (e.g. L301401X would be L401X).



Consumables

	Centricut part number	Esse A part number	Reference number	Description	Pkg qty
1	PT348-1052 Recommended	AL495	P0571-1051-00001, 6930281333, 055456	PT-Nozzle holder KT B2" Con	1
	PT348-1053	AL380	P0571-1051-00001, 6930281333, 055456	PT-Nozzle holder KT B2 Con	1
	PT348-1051 OEM original	AL355	P0571-1051-00001, 6930281333, 055456	PT-Nozzle holder KT B2" Con	1
2	PT348-1330 Recommended	AL131	PT358-0669	PT-Nozzle holder KT B2	1
	PT348-0260	AL421	281330, P0571-260-00001, 6930281330	PT-Nozzle holder KT B2	1
	PT348-1330OEM OEM original	AL23	281330, P0571-260-00001, 6930281330	PT-Nozzle holder KT B2	1
3	PT400-4097 NEW	AL566	P0595-94097	PT-Nozzle holder KT XB	1
4	PT345-0008X	L30935	P0591-673-00008	PT-Nozzle HD, 0.8 mm (10 pk)*	10
	PT345-1548X	L30234	281548, P0591-571-00010	PT-Nozzle HD, 1.0 mm (10 pk)*	10
	PT345-1549X	L30235	281549, P0591-572-00012	PT-Nozzle HD, 1.2 mm (10 pk)*	10
	PT345-1555X	L30824		PT-Nozzle HD, 1.4 mm (10 pk)*	10
	PT345-1463X	L30236	281463, P0591-573-00015, MX-0862	PT-Nozzle HD, 1.5 mm (10 pk)*	10
	PT345-1464X	L30539		PT-Nozzle HD, 1.6 mm (10 pk)	10
	PT345-0001X	L30237	P0591-574-00018, MX-0863	PT-Nozzle HD, 1.8 mm (10 pk)*	10
	PT345-1550X	L30238	281550, P0591-575-00020, MX-0864	PT-Nozzle HD, 2.0 mm (10 pk)*	10
	PT345-0003X	L30239	P0591-574-00023, 29100238, P40-003805-006	PT-Nozzle HD, 2.3 mm (10 pk)*	10
	PT345-1551X	L30240	281551, P0591-576-00025, MX-0865	PT-Nozzle HD, 2.5 mm (10 pk)*	10
	PT345-1552X	L30936	281552, P40-003805-008	PT-Nozzle HD, 2.75 mm (10 pk)*	10
	PT345-0002X	L30241	P0591-577-00030, MX-0866	PT-Nozzle HD, 3.0 mm (10 pk)*	10
	PT345-0006X	L30827	29100243, P40-003805-011	PT-Nozzle HD, 3.5 mm (10 pk)*	10
	PT345-0004X	L30828	P40-003805-012, P0591-578-00040	PT-Nozzle HD, 4.0 mm (10 pk)*	10
	PT345-0007X	L30829		PT-Nozzle HD, 4.5 mm (10 pk)*	10
	PT345-1548CPX	L30234X		PT-Nozzle HD, 1.0 mm CP (10 pk)*	10
	PT345-1549CPX	L30235X		PT-Nozzle HD, 1.2 mm CP (10 pk)*	10
	PT345-1555CPX	L30824X		PT-Nozzle HD, 1.4 mm CP (10 pk)*	10
	PT345-1463CPX	L30236X		PT-Nozzle HD, 1.5 mm CP (10 pk)*	10
	PT345-0001CPX	L30237X		PT-Nozzle HD, 1.8 mm CP (10 pk)*	10
	PT345-1550CPX	L30238X		PT-Nozzle HD, 2.0 mm CP (10 pk)*	10
	PT345-1551CPX	L30240X		PT-Nozzle HD, 2.5 mm CP (10 pk)*	10
	PT345-0002CPX	L30241X		PT-Nozzle HD, 3.0 mm CP (10 pk)*	10
	PT345-0004CPX	L30828X		PT-Nozzle HD, 4.0 mm CP (10 pk)*	10

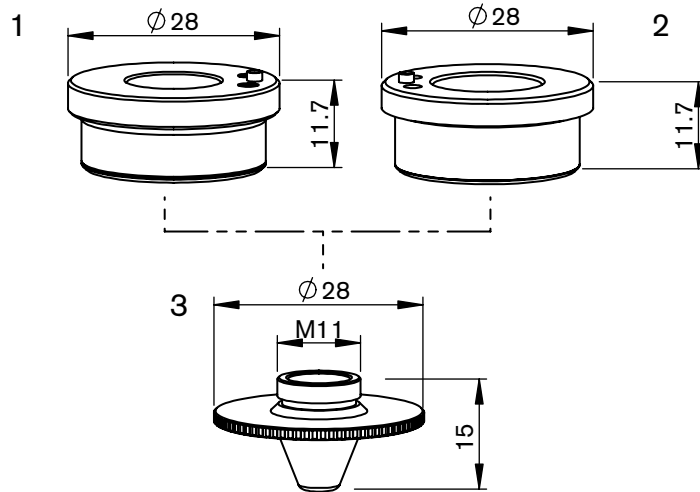
(Continued on next page)

Centricut is not affiliated with the named manufacturers. Reference to machines, parts, descriptions, and model numbers are for convenience in verifying compatibility only. All parts are made by or for Centricut and are not made by the referenced manufacturers (unless expressly indicated). Centricut is a registered trademark of Hypertherm, Inc. All other trademarks are the properties of their respective owners.

Consumables

	Centricut part number	Esse A part number	Reference number	Description	Pkg qty
5	PT345-0050	L1701	6283300050	Nozzle - 1.5 mm double	1
	PT345-0060	L1702	6283300060	Nozzle - 2.0 mm double	1
	PT345-0070	L1703	6283300070	Nozzle - 2.5 mm double	1
	PT345-0080	L1704	6283300080	Nozzle - 3.0 mm double	1
	PT345-0090	L1705	6283300090	Nozzle - 3.5 mm double	1
	PT345-0100	L1706	6283300100	Nozzle - 4.0 mm double	1
	PT345-0110	L1707	6283300110	Nozzle - 4.5 mm double	1
6	PT345-1936X	L301936		PT-Nozzle large head HD, 4.0 mm (10 pk)*	10
	PT345-1937X	L301937	29100373	PT-Nozzle large head HD, 4.5 mm (10 pk)*	10
	PT345-0830X	L30830	29100374, P0591-579-00050	PT-Nozzle large head HD, 5.0 mm (10 pk)*	10

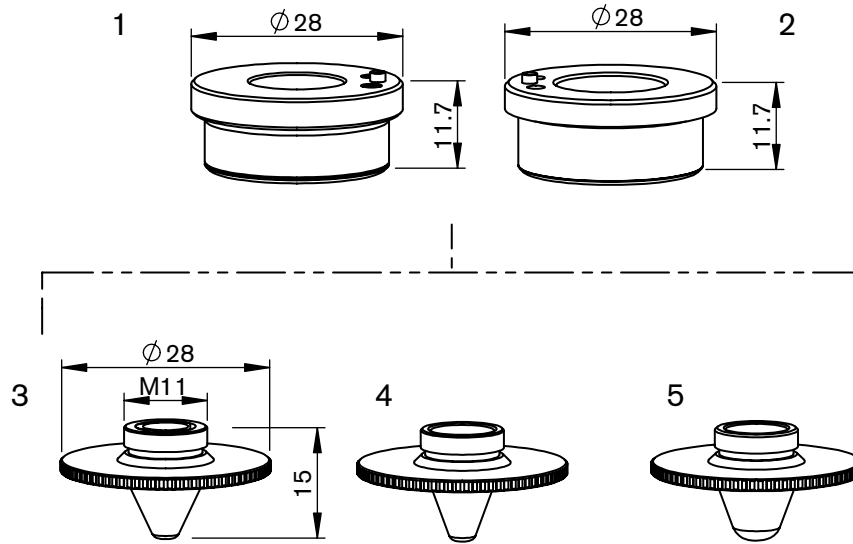
* Centricut parts available in single packs. To order single packs, remove the 'X' at the end of the part number (e.g. AM123-4567X would be AM123-4567).
 For Esse A parts available in single packs. To order single packs, remove the '30' after the L in the part number (e.g. L301401X would be L401X).



Consumables

	Centricut part number	Esse A part number	Reference number	Description	Pkg qty
1	PT348-1052 Recommended	AL495	P0571-1051-00001, 6930281333, 055456	PT-Nozzle holder KT B2" Con	1
	PT348-1053	AL380	P0571-1051-00001, 6930281333, 055456	PT-Nozzle holder KT B2 Con	1
	PT348-1051 OEM original	AL355	P0571-1051-00001, 6930281333, 055456	PT-Nozzle holder KT B2" Con	1
2	PT348-1330 Recommended	AL131	281330, P0571-260-00001, 6930281330	PT-Nozzle holder KT B2	1
	PT348-0260	AL421	281330, P0571-260-00001, 6930281330	PT-Nozzle holder KT B2	1
	PT348-1330OEM OEM original	AL23	281330, P0571-260-00001, 6930281330	PT-Nozzle holder KT B2	1
3	PT350-1590X	L30247	281590, P0591-569-00008, P40-007141-004	PT-Nozzle, 0.8 mm (10 pk)*	10
	PT350-1331X	L30162	281331, P0591-561-00010, 6930281331, P40-007141-005	PT-Nozzle, 1.0 mm (10 pk)*	10
	PT350-1351X	L30130	281351, P0591-562-00012, 6930281351, P40-007141-006	PT-Nozzle, 1.2 mm (10 pk)*	10
	PT350-1352X	L30131	281352, P0591-563-00015, 6930281352, P40-007141-001	PT-Nozzle, 1.5 mm (10 pk)*	10
	PT350-1353X	L30153	281353, P0591-564-00018, 6930281353, P40-007141-007	PT-Nozzle, 1.8 mm (10 pk)*	10
	PT350-1354X	L30132	281354, P0591-565-00020, 6930281354, P40-007141-002	PT-Nozzle, 2.0 mm (10 pk)*	10
	PT350-0023X	L30154	281354, P591-565-00020, P40-007141-010	PT-Nozzle, 2.3 mm (10 pk)*	10
	PT350-1591X	L30155	281591, P0591-566-00025, 6930281591, P40-007141-003	PT-Nozzle, 2.5 mm (10 pk)*	10
	PT350-0030X	L30156	P0591-568-00030, P40-007141-009	PT-Nozzle, 3.0 mm (10 pk)*	10
	PT350-1351CPX	L30130X		PT-Nozzle, 1.2 mm CP (10 pk)*	10
	PT350-1352CPX	L30131X		PT-Nozzle, 1.5 mm CP (10 pk)*	10
	PT350-1353CPX	L30153X		PT-Nozzle, 1.8 mm CP (10 pk)*	10
	PT350-1354CPX	L30132X		PT-Nozzle, 2.0 mm CP (10 pk)*	10
	PT350-1591CPX	L30155X		PT-Nozzle, 2.5 mm CP (10 pk)	10

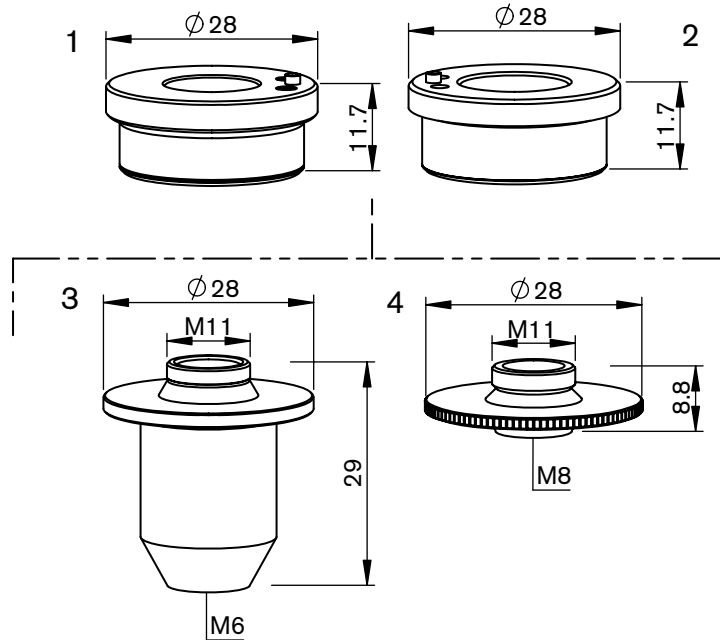
* Centricut parts available in single packs. To order single packs, remove the 'X' at the end of the part number (e.g. AM123-4567X would be AM123-4567). For Esse A parts available in single packs. To order single packs, remove the '30' after the L in the part number (e.g. L301401X would be L401X).



Consumables

	Centricut part number	Esse A part number	Reference number	Description	Pkg qty
1	PT348-1052 Recommended	AL495	P0571-1051-00001, 6930281333, 055456	PT-Nozzle holder KT B2" Con	1
	PT348-1053	AL380	P0571-1051-00001, 6930281333, 055456	PT-Nozzle holder KT B2 Con	1
	PT348-1051 OEM original	AL355	P0571-1051-00001, 6930281333, 055456	PT-Nozzle holder KT B2" Con	1
2	PT348-1330 Recommended	AL131		PT-Nozzle holder KT B2	1
	PT348-0260	AL421	281330, P0571-260-00001, 6930281330	PT-Nozzle holder KT B2	1
	PT348-1330OEM OEM original	AL23	281330, P0571-260-00001, 6930281330	PT-Nozzle holder KT B2	1
3	PT358-0001	L1348	6930250001	PT-Nozzle double 3D, 0.8 mm/inner 1.5 mm	1
	PT358-0002	L1349	6930250002	PT-Nozzle double 3D, 1.0 mm/inner 1.5 mm	1
	PT358-0003	L1350	6930250003	PT-Nozzle double 3D, 1.2 mm/inner 1.5 mm	1
	PT358-0004	L1351	6930250004	PT-Nozzle double 3D, 1.5 mm/inner 1.5 mm	1
	PT358-0005	L1470		PT-Nozzle double 3D, 1.8 mm/inner 1.5 mm	1
	PT358-0002CP	L1349X		PT-Nozzle double 3D, 1.0 mm/inner 1.5 mm CP	1
	PT358-0003CP	L1350X		PT-Nozzle double 3D, 1.2 mm/inner 1.5 mm CP	1
4	PT406-0002	L739		PT-Nozzle HD, 1.2 mm	1
	PT406-0003	L740		PT-Nozzle HD, 1.5 mm	1
5	PT406-0010	L793		PT-Nozzle, 1.0 mm	1
	PT406-0125	L794		PT-Nozzle, 1.2 mm	1
	PT406-0015	L742	P0591-1049-00015	PT-Nozzle, 1.5 mm	1
	PT406-0018	L743	P0591-1050-00018	PT-Nozzle, 1.8 mm	1
	PT406-0020	L744		PT-Nozzle, 2.0 mm	1

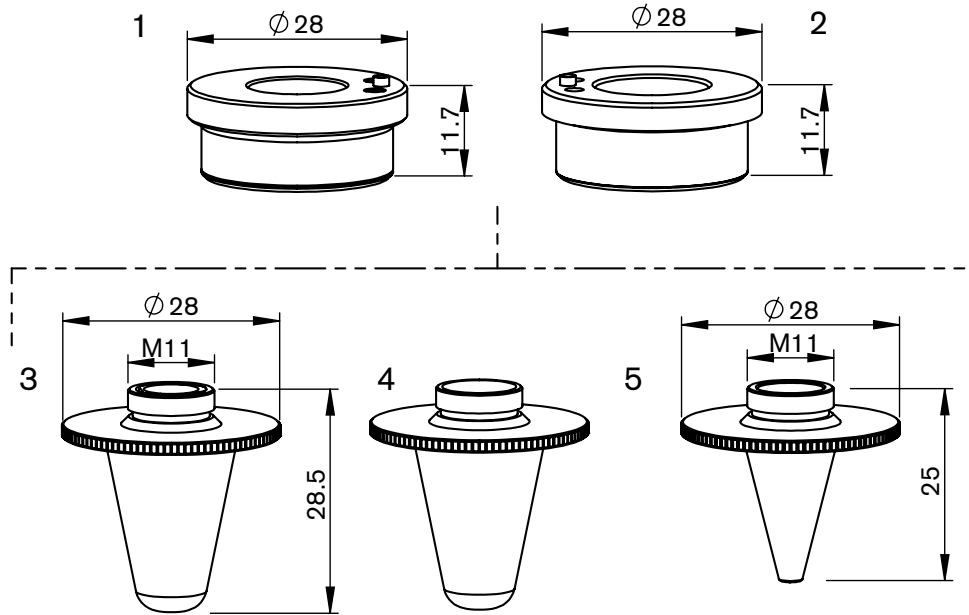
Centricut is not affiliated with the named manufacturers. Reference to machines, parts, descriptions, and model numbers are for convenience in verifying compatibility only. All parts are made by or for Centricut and are not made by the referenced manufacturers (unless expressly indicated). Centricut is a registered trademark of Hypertherm, Inc. All other trademarks are the properties of their respective owners.



Consumables

	Centricut part number	Esse A part number	Reference number	Description	Pkg qty
1	PT348-1052 Recommended	AL495	P0571-1051-00001, 6930281333, 055456	PT-Nozzle holder KT B2" Con	1
	PT348-1053	AL380	P0571-1051-00001, 6930281333, 055456	PT-Nozzle holder KT B2 Con	1
	PT348-1051 OEM original	AL355	P0571-1051-00001, 6930281333, 055456	PT-Nozzle holder KT B2" Con	1
2	PT348-1330 Recommended	AL131	281330, P0571-260-00001, 6930281330	PT-Nozzle holder KT B2	1
	PT348-0260	AL421	281330, P0571-260-00001, 6930281330	PT-Nozzle holder KT B2	1
	PT348-1330OEM OEM original	AL23	281330, P0571-260-00001, 6930281330	PT-Nozzle holder KT B2	1
3	PT406-0334	AL334		PT-Nozzle adapter, L=30 M6	1
4	PT406-0043	AL43		PT-Nozzle adapter	1

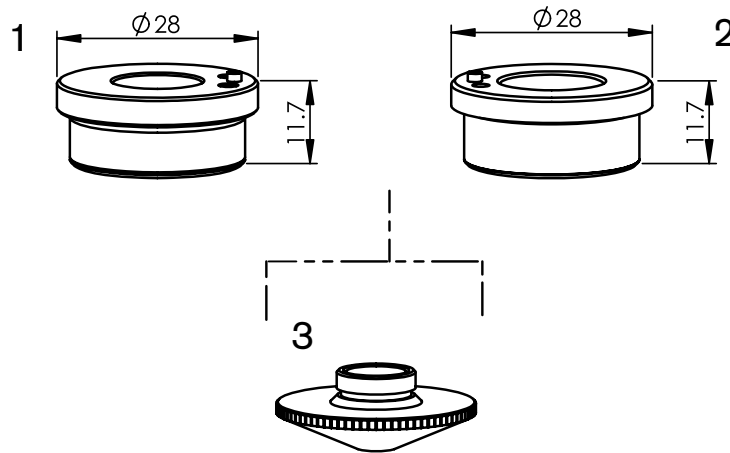
For Adige, Finn Power and GHT systems



Consumables

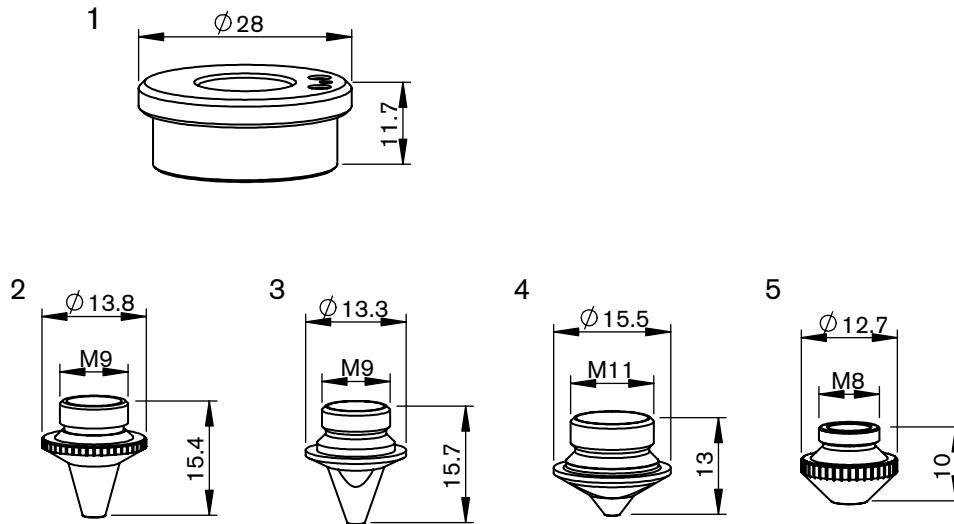
	Centricut part number	Esse A part number	Reference number	Description	Pkg qty
1	PT348-1052 Recommended	AL495	P0571-1051-00001, 6930281333, 055456	PT-Nozzle holder KT B2" Con	1
	PT348-1053	AL380	P0571-1051-00001, 6930281333, 055456	PT-Nozzle holder KT B2 Con	1
	PT348-1051 OEM original	AL355	P0571-1051-00001, 6930281333, 055456	PT-Nozzle holder KT B2" Con	1
2	PT348-1330 Recommended	AL131	281330, P0571-260-00001, 6930281330	PT-Nozzle holder KT B2	1
	PT348-0260	AL421	281330, P0571-260-00001, 6930281330	PT-Nozzle holder KT B2	1
	PT348-1330OEM OEM original	AL23	281330, P0571-260-00001, 6930281330	PT-Nozzle holder KT B2	1
3	PT420-0010	L680	6930250680	PT-Nozzle double long, 1.0 mm	1
	PT420-0125	L681	6930250681	PT-Nozzle double long, 1.2 mm	1
	PT420-0015	L682	6930250682	PT-Nozzle double long, 1.5 mm	1
	PT420-0018	L683	6930250683	PT-Nozzle double long, 1.8 mm	1
	PT420-0020	L684	6930250684	PT-Nozzle double long, 2.0 mm	1
	PT420-0025	L686	6930250686	PT-Nozzle double long, 2.5 mm	1
	PT420-0030	L687	6930250687	PT-Nozzle double long, 3.0 mm	1
	PT420-0035	L688	6930250688	PT-Nozzle double long, 3.5 mm	1
4	PT390-0012	L307	P0573-563-00012	PT-Nozzle long, 1.2 mm	1
	PT390-0015	L382	P0573-563-00015	PT-Nozzle long, 1.5 mm	1
	PT390-0018	L383	P0573-563-00018	PT-Nozzle long, 1.8 mm	1
	PT390-0020	L437	P0573-564-00020	PT-Nozzle long, 2.0 mm	1
	PT390-0025	L439	P0573-566-00025	PT-Nozzle long, 2.5 mm	1
	PT390-0030	L440		PT-Nozzle long, 3.0 mm	1
5	PT390-0040	L1374	P0578-0411-00010, 6930300045	PT-Nozzle radius long, 1.0 mm	1
	PT390-0005	L1375	P0578-0412-00012, 6930300046	PT-Nozzle radius long, 1.2 mm	1
	PT390-0006	L1376	P0578-0413-00015, 6930300039	PT-Nozzle radius long, 1.5 mm	1
	PT390-0009	L1373	P0578-0414-00018, 6930300047	PT-Nozzle radius long, 1.8 mm	1
	PT390-0007	L1377	P0578-0415-00020, 6930300040	PT-Nozzle radius long, 2.0 mm	1
	PT390-0008	L1378	P0578-0416-00025, 6930300048	PT-Nozzle radius long, 2.5 mm	1

Centricut is not affiliated with the named manufacturers. Reference to machines, parts, descriptions, and model numbers are for convenience in verifying compatibility only. All parts are made by or for Centricut and are not made by the referenced manufacturers (unless expressly indicated). Centricut is a registered trademark of Hypertherm, Inc. All other trademarks are the properties of their respective owners.



Consumables

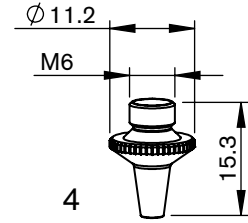
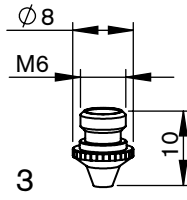
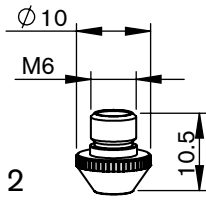
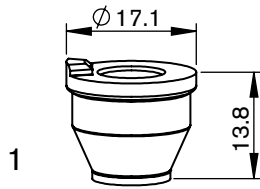
	Centricut part number	Esse A part number	Reference number	Description	Pkg qty
1	PT348-1052 Recommended	AL495	P0571-1051-00001, 6930281333, 055456	PT-Nozzle holder KT B2" Con	1
	PT348-1053	AL380	P0571-1051-00001, 6930281333, 055456	PT-Nozzle holder KT B2 Con	1
	PT348-1051 OEM original	AL355	P0571-1051-00001, 6930281333, 055456	PT-Nozzle holder KT B2" Con	1
2	PT348-1330 Recommended	AL131	281330, P0571-260-00001, 6930281330	PT-Nozzle holder KT B2	1
	PT348-0260	AL421	281330, P0571-260-00001, 6930281330	PT-Nozzle holder KT B2	1
	PT348-1330OEM OEM original	AL23	281330, P0571-260-00001, 6930281330	PT-Nozzle holder KT B2	1
3	PT377-0015	L467	281570, P0571-293-00015	PT-Nozzle, 1.5 mm	1
	PT377-0020	L469	281571, P0571-295-00020	PT-Nozzle, 2.0 mm	1
	PT377-0030	L463		PT-Nozzle, 3.0 mm	1



Consumables

	Centricut part number	Esse A part number	Reference number	Description	Pkg qty
1	PT348-1330C	AL331	281330, P0571-260-00001, 6930281330	PT-Nozzle holder, ceramic	1
	PT344-1813X	L30405	281813, P0589-424-00008	PT-Nozzle, 0.8 mm (10 pk)*	10
	PT344-1789X	L30406	281789, P0589-426-00010	PT-Nozzle, 1.0 mm (10 pk)*	10
	PT344-1561X	L30404	281561, 778550, P0589-425-00012	PT-Nozzle, 1.2 mm (10 pk)*	10
2	PT344-1499X	L30407	281814, 149957	PT-Nozzle, 1.5 mm (10 pk)*	10
	PT344-0020X	L30408	P0589-428-00020	PT-Nozzle, 2.0 mm (10 pk)	10
YK52 Sensor system					
3	PT391-0010X	L30800	281498, P0587-722-00010	PT-Nozzle, 1.0 mm (10 pk)	10
	PT391-0012X	L30801	P0587-723-00012	PT-Nozzle, 1.2 mm (10 pk)	10
	PT391-0015X	L30802	281497, P0587-721-00015	PT-Nozzle, 1.5 mm (10 pk)*	10
	PT391-0020X	L30804	281567, P0587-771-00020	PT-Nozzle, 2.0 mm (10 pk)*	10
	PT391-0025X	L30805	P0587-772-00025	PT-Nozzle, 2.5 mm (10 pk)	10
4	PT401-0010	L1013	P0587-841-00010	PT-Nozzle, 1.0 mm	1
5	PT344-0013X	L30400	280013, P0492-441-00008, W222	PT-Nozzle FP, 0.8 mm (10 pk)	10
	PT344-0014X	L30401	280014, P0492-442-00010, W223	PT-Nozzle FP, 1.0 mm (10 pk)*	10
	PT344-0015X	L30402	280015, P0492-443-00012, W228	PT-Nozzle FP, 1.2 mm (10 pk)	10
	PT344-0016X	L30403		PT-Nozzle FP, 1.5 mm (10 pk)	10

* Centricut parts available in single packs. To order single packs, remove the 'X' at the end of the part number (e.g. AM123-4567X would be AM123-4567).
For Esse A parts available in single packs. To order single packs, remove the '30' after the L in the part number (e.g. L301401X would be L401X).

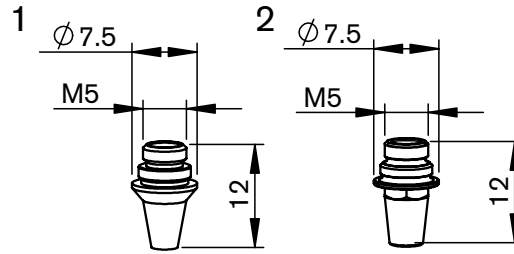


Consumables

	Centricut part number	Esse A part number	Reference number	Description	Pkg qty
1	TR302-2406 Recommended	AL653	280408, 092405, P0494-752-00001, 6930300016	TR-Nozzle holder KT M1.5" KN	1
	TR302-2405	AL53	280408, 092405, P0494-752-00001, 6930300016	TR-Nozzle holder KT M1.5" KN OEM	1
2	PT344-0551X	L30292	280551, P0494-853-00010	PT-Nozzle, 1.0 mm (10 pk)	10
	PT344-0552X	L30293	280552, P0494-854-00012	PT-Nozzle, 1.2 mm (10 pk)*	10
	PT344-0553X	L30294	280553, P0494-855-00015	PT-Nozzle, 1.5 mm (10 pk)*	10
	PT344-0554X	L30295	P0494-856-00017	PT-Nozzle, 1.7 mm (10 pk)*	10
	PT344-0555X	L30296	280555, P0494-855-00020	PT-Nozzle, 2.0 mm (10 pk)*	10
	PT344-0400X			PT-Nozzle, 4.0 mm (10 pk)	10
DE M 1.5"					
3	PT379-0010X	L301055	280943, P0494-787-00010	PT-Nozzle KN TAK, 1.0 mm (10 pk)	10
	PT379-0012X	L301056	280942, P0494-788-00012	PT-Nozzle KN TAK, 1.2 mm (10 pk)*	10
	PT379-0015X	L301057	280941, P0494-789-00015	PT-Nozzle KN TAK, 1.5 mm (10 pk)*	10
	PT379-0018X	L301058	P0494-785-00018	PT-Nozzle KN TAK, 1.8 mm (10 pk)*	10
	PT379-0020X	L301059	P0494-786-00020	PT-Nozzle KN TAK, 2.0 mm (10 pk)*	10
DE Y 30/22					
4	PT344-1980X	L301980	P0787-482-00012	PT-Nozzle DE Y30/22 F100, 1.2 mm (10 pk)*	10
	PT344-1981X	L301981	P0787-483-00015	PT-Nozzle DE Y30/22 F10, 1.5 mm (10 pk)*	10
	PT344-1983X	L301983	P0787-1001-00020	PT-Nozzle DE, 2.0 mm (10 pack)*	10
	PT344-1984X	L301984		PT-Nozzle DE, 2.5 mm (10 pack)*	10

* Centricut parts available in single packs. To order single packs, remove the 'X' at the end of the part number (e.g. AM123-4567X would be AM123-4567).
For Esse A parts available in single packs. To order single packs, remove the '30' after the L in the part number (e.g. L301401X would be L401X).

For Adige and Mazak systems

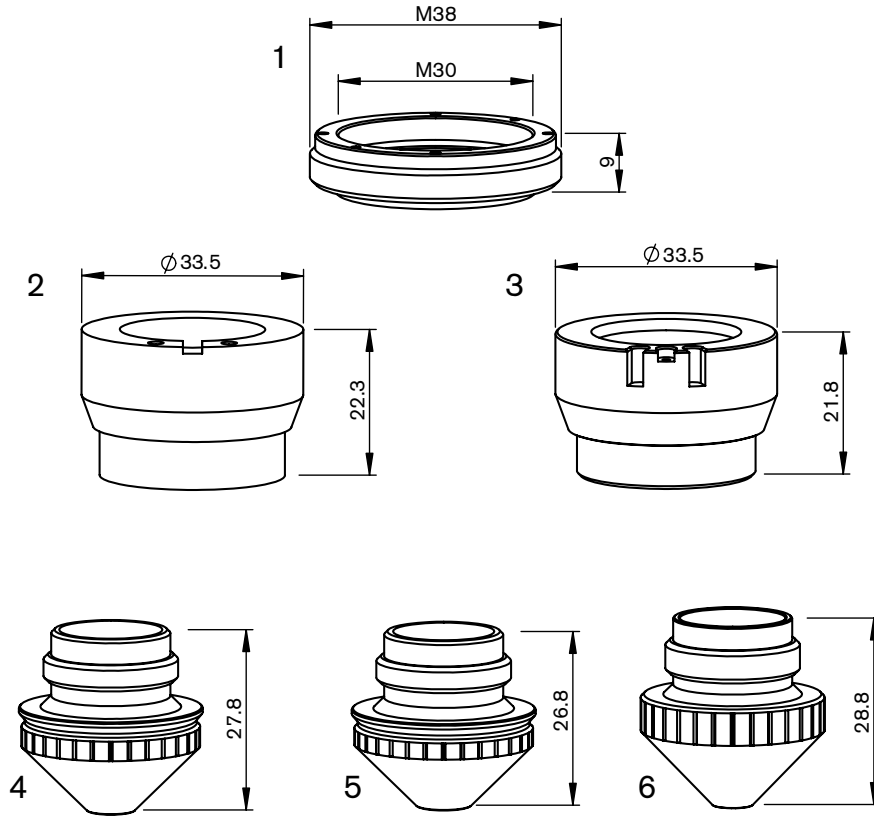


Consumables

	Centricut part number	Esse A part number	Reference number	Description	Pkg qty
1	PT347-1006X	L30486	281006, P0352-333-00010	PT-Nozzle KK, 1.0 mm (10 pk)	10
	PT347-1031X	L30488	281031, P0352-335-00015	PT-Nozzle KK, 1.5 mm (10 pk)*	10
	PT347-0898X	L30489	280898, P0352-336-00018	PT-Nozzle KK, 1.8 mm (10 pk)	10
	PT347-1020X	L30490	P0352-336-00020	PT-Nozzle KK, 2.0 mm (10 pk)*	10
2	PT347-1760X	L301760	P0491-1001-00015	PT-Nozzle hexagonal DE M1.5 KS, 1.0 mm (10 pk)	10
	PT347-1761X	L301761	P0491-1002-00020	PT-Nozzle hexagonal DE M1.5 KS, 1.2 mm (10 pk)	10
	PT347-1762X	L301762		PT-Nozzle hexagonal DE M1.5 KS, 1.5 mm (10 pk)	10
	PT347-1764X	L301764		PT-Nozzle hexagonal DE M1.5 KS, 2.0 mm (10 pk)	10

* Centricut parts available in single packs. To order single packs, remove the 'X' at the end of the part number (e.g. AM123-4567X would be AM123-4567).
 For Esse A parts available in single packs. To order single packs, remove the '30' after the L in the part number (e.g. L301401X would be L401X).

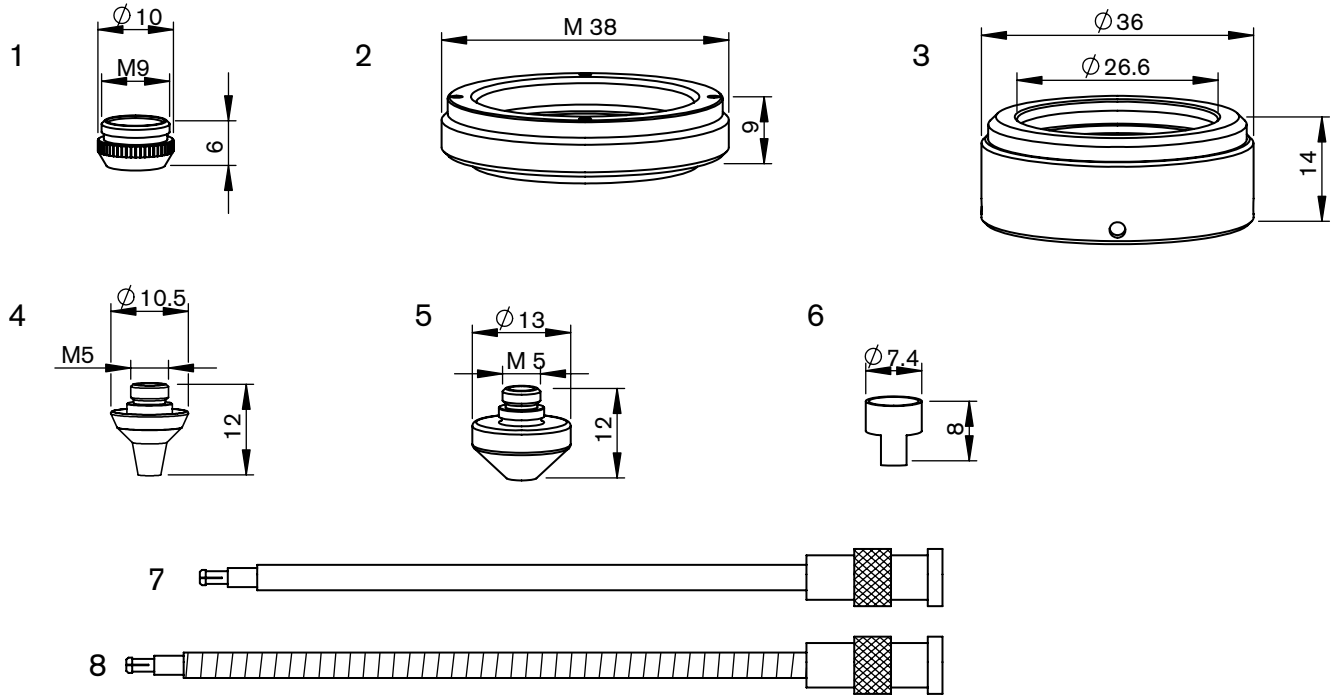
For Adige and Finn-Power systems



Consumables

	Centricut part number	Esse A part number	Reference number	Description	Pkg qty
1	PT311-0001	AL201	P0492-702-00002	PT-Insulating ring	1
	PT347-4297	AL198	P0492-702-00001, 29100021	PT-Insulating ring outer body	1
	AM326-6453 (not shown)	AL94		AM-O-ring for outer nozzle	1
2	PT311-0298	AL298	P0497-68871, P0497-615-00001	PT-Nozzle holder KTM 1.5" DXN, ceramic	1
3	PT311-1146	AL130/S	281146, P0380-211-00001, 29100033	PT-Nozzle holder ITM 1.5" DZ	1
	PT311-1146OEM	AL130	281146, P0380-211-00001, 29100033	PT-Nozzle holder ITM 1.5" DZ OEM	1
4	PT376-0015	L367	280028, P0492-627-00015	PT-Nozzle, 1.5 mm	1
5	PT376-0020	L369	280027, P0492-626-00020	PT-Nozzle, 2.0 mm	1
6	PT311-0015	L165	281255, P0380-253-00015	PT-Nozzle, 1.5 mm	1
	PT311-0020	L166	281270, P0380-254-00020	PT-Nozzle, 2.0 mm	1

Centricut is not affiliated with the named manufacturers. Reference to machines, parts, descriptions, and model numbers are for convenience in verifying compatibility only. All parts are made by or for Centricut and are not made by the referenced manufacturers (unless expressly indicated). Centricut is a registered trademark of Hypertherm, Inc. All other trademarks are the properties of their respective owners.

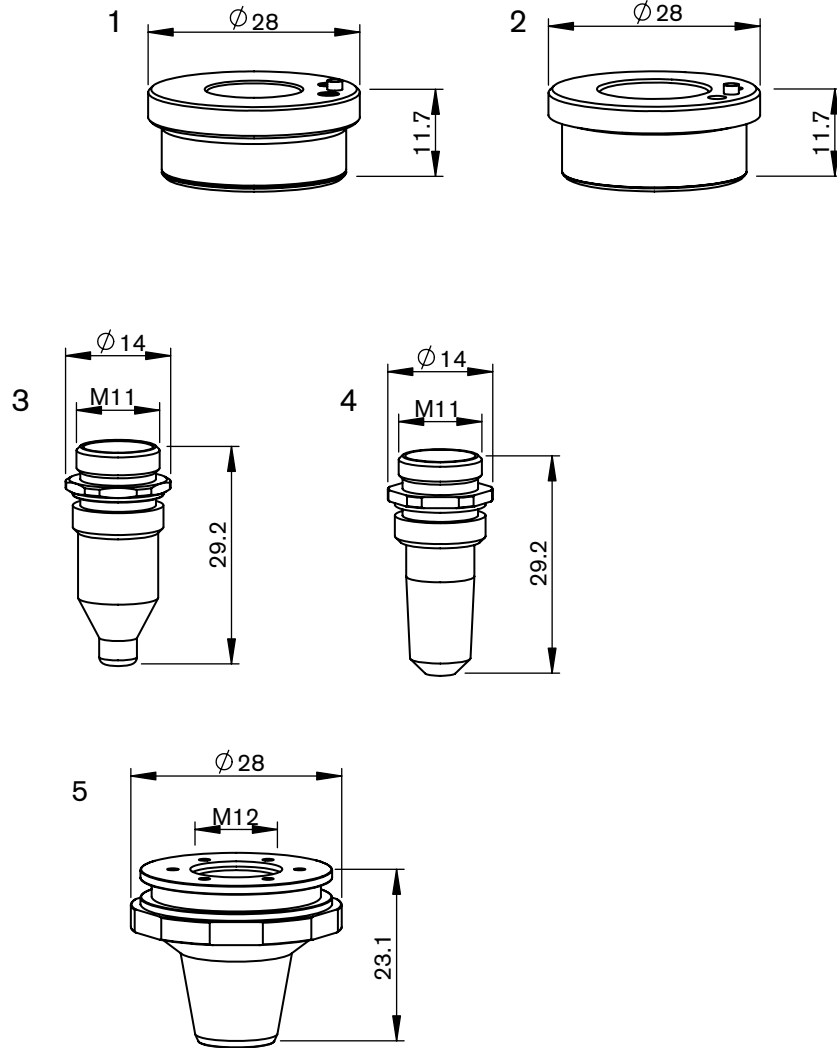


Consumables

	Centricut part number	Esse A part number	Reference number	Description	Pkg qty
1	PT347-0320	AL160	46713300321, P0352-311-00001	PT-Union nut, Vespel	1
2	PT347-4297	AL198	P0492-702-00001, 29100021	PT-Insulating ring outer body	1
3	PT347-0008	AL218	46713330200	PT-Isolating ring outer body (Precitec)	1
4	PT347-0005X	L30554	46713300290-10	PT-Nozzle 3D, 1.0 mm (10 pk)*	10
	PT347-0290-1.2	L555	46713300290-12	PT-Nozzle 3D, 1.2 mm	1
	PT347-0090X	L30555	46713300290-12	PT-Nozzle 3D, 1.2 mm (10 pk)*	10
	PT347-0290X	L30556	46713300290-15, P0352-381-00015	PT-Nozzle 3D, 1.5 mm (10 pk)*	10
	PT347-0118X	L30557	P0352-377-00018	PT-Nozzle 3D, 1.8 mm (10 pk)	10
	PT347-0280X	L30558	46713300310, P0352-382-00020	PT-Nozzle 3D, 2.0 mm (10 pk)*	10
	PT347-0001X	L30560	46713300280-25	PT-Nozzle 3D, 2.5 mm (10 pk)*	10
	PT347-0002X	L30563	46713300280-30, 46713300430	PT-Nozzle 3D, 3.0 mm (10 pk)*	10
	PT347-0035X	L30564	46713300280-35	PT-Nozzle 3D, 3.5 mm (10 pk)*	10
5	PT347-0012X	L30577	46713300310	PT-Nozzle 2D, 1.2 mm (10 pk)	10
	PT347-0310X	L30578	P0352-386-00015	PT-Nozzle 2D, 1.5 mm (10 pk)*	10
	PT347-0300X	L30580	46713300300, P0352-387-00020	PT-Nozzle 2D, 2.0 mm (10 pk)*	10
	PT347-0003X	L30581	46713300300-25	PT-Nozzle 2D, 2.5 mm (10 pk)*	10
	PT347-0006X	L30582	46713300300-30	PT-Nozzle 2D, 3.0 mm (10 pk)*	10
6	PT347-0009	AL256	46713300390	PT-Connector protector	1
	AM326-6453 (not shown)	AL94		AM-O-ring for outer nozzle	1
7	PT347-0101	AL204	P0360-100-00500, 46713300100	PT-Sensor head connecting cable OEM	1
8	PT347-1386	AL257	281386, P0360-155-00500	PT-Electrode cable	1

* Centricut parts available in single packs. To order single packs, remove the 'X' at the end of the part number (e.g. AM123-4567X would be AM123-4567). For Esse A parts available in single packs. To order single packs, remove the '30' after the L in the part number (e.g. L301401X would be L401X).

For Koike systems

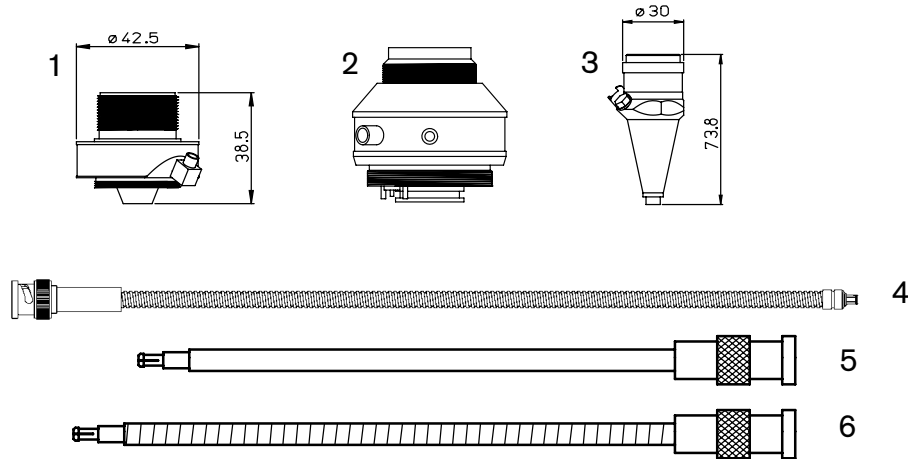


Consumables

	Centricut part number	Esse A part number	Reference number	Description	Pkg qty
1	PT348-1052 Recommended	AL495	P0571-1051-00001, 6930281333, 055456	PT-Nozzle holder KT B2 [®] Con	1
	PT348-1053	AL380	P0571-1051-00001, 6930281333, 055456	PT-Nozzle holder KT B2 Con	1
	PT348-1051 OEM original	AL355	P0571-1051-00001, 6930281333, 055456	PT-Nozzle holder KT B2 [®] Con	1
2	PT348-1330 Recommended	AL131	281330, P0571-260-00001, 6930281330	PT-Nozzle holder KT B2	1
	PT348-0260	AL421	281330, P0571-260-00001, 6930281330	PT-Nozzle holder KT B2	1
	PT348-1330 OEM OEM original	AL23	281330, P0571-260-00001, 6930281330	PT-Nozzle holder KT B2	1
3	PT348-5175	L1595		PT-Nozzle, 1.7 mm	1
4	PT348-1594	L1594		PT-Nozzle, 1.2 mm	1
5	PT348-0414	AL414	20083268	PT-Nozzle outer, 7.0 mm	1

Consumables

Centricut part number	Esse A part number	Reference number	Description	Pkg qty
PRECITEC® original spare parts (not shown)				
PT347-0007	AL211	P0354-110-00002/00001, P0354-130-00001	PT-Sensor cone HNZ (Mazak)	1
PT347-0010		P0591-105-00001	PT-Connector head OEM	1
PT347-0014	P36015000300	KE 300 gw Z MM, P0360-150-00300	PT-Sensor cable OEM	1
PT347-0016		P0591-770-00001	PT-Electrode tacitile OEM	1
PT347-0017	ZM HP1.5" DR	ZM HP1.5" DR, P0591-329-00001	PT-Seal OEM, 1.5"	1
PT347-0018	ZM HP1.5" DF	ZM HP1.5" DF	PT-Seal OEM, 1.5"	1
PT347-0021		P0594-510-00001	PT-Sensor insert SE HP 2.0" OEM	1
PT347-0022	281617	281617, P0591-580-00001	PT-Socket ZM HP 1.5" IB OEM	1
PT347-0023	281395	281395, P0591-920-00001	PT- Seal set ZM HP1.5" DS OEM	1
PT347-0024	AL638	P0497-110-00001	PT-Sensor insert SE M1.5" DXN	1
PT347-1439			PT-Lens ring set OEM	1
PT347-1383	281395		PT-Nut tray HP OEM (4 pcs)	1
PT344-0001		P0788-580-00001	Lens mount – OL YR30 F100 w/lens	1
PT347-0130		P0492-001-00130	PT-Electrode cable OEM, KE 130 GW	1
PT347-0220		P0464-810-00220	PT-Electrode cable OEM, KE 220 GGMM	1
PT347-350	AL350	46713330960	PT-Isolating ring, inner cone	1
PT347-349	AL349	46713330930	PT-Sensor cone inner	1
PT349-0001	AL599	P380-130-00001, P497-130-00001, 3164010001	Precitec sensor cone DZ/S kit (sensor PT380-130-00001, Nut P497-130-00001)	1
PT348-0200	AL597	3164010151, P0360-156-00200, P0360-66867	PT-Electrode cab.KE 200 gw Z MM	1
PT348-0300	AL596	3164010002, P0360-150-00300	PT-Electrode cab. KE 300 gw Z MM	1
PT348-0220	AL598	3164010072, P0360-600-00220, P0464-810-00220	PT-Electrode cab. KE 220 GG	1



Consumables

	Centricut part number	Esse A part number	Reference number	Description	Pkg qty
New sensor cones					
1	PT347-8001		280010	PT-Sensor cone 2.5Z/J	1
2	PT347-1145	AL610	281145, P0380-140-00002, P038014001	PT-Sensor cone, DZ	1
3	PT347-0011		P0354-110-00002	PT-Sensor Cone HNZ (Mitsubishi)	1
	PT347-3323	AL611	567123323A1	PT-Sensor Cone HNP	1
	PT347-0522	AL609	P0599-520-00002	PT-Sensor Cone LRC	1
	PT347-0019		P0380-110-00002	PT-Sensor Insert SE 1.5" DZ	1
	PT347-0238 (not shown)	AL608	P0361-203-00001	PT-Sensor cone, 2.5/J	1
Sensor cables					
4	PT347-0101A	AL633	P0360-100-00500, 46713300100	PT-Sensor cable, 500 mm (20") armored	1
	PT347-0250	AL634	342475	PT-Sensor cable, 250 mm (10") armored	1
5	PT347-0101	AL204	P0360-100-00500, 46713300100	PT-Sensor head connecting cable OEM	1
6	PT347-1386	AL257	281386, P0360-155-00500	PT-Sensor cable, armored	1
	PT347-1250 (not shown)	AL637	D5001-040-00250	PT-Sensor cable, 250 mm (10") armored	1
	PT347-KS13 (not shown)	AL639		PT-Sensor cable, 390 mm (15.5") armored	1
	PT347-06000EM (not shown)		P0360-210-00600	PT-Sensor cable, 600 ZWW OEM	1
	PT347-0015A (not shown)	AL631	00B-15	PT-Sensor cable, 380 mm (15")	1
	PT347-0181 (not shown)	AL358	46743300181	PT-Sensor cable, 305 mm (12") armored	1
	PT347-0500 (not shown)	AL636		PT-Sensor cable, 390 mm (15.4") armored	1
	PT347-0522 (not shown)			PT-Sensor cone, LRC	1
	PT347-0014 (not shown)		P36015000300	PT-Sensor cable, KE 300 gw Z MM OEM	1
	PT344-3051 (not shown)			PT-Electrode guard, long	1
	PT347-0040 (not shown)	AL632	00BB-A-17i,BEC004-000.4	PT-Sensor cable, 431 mm (17") armored	1
	PT347-0300A (not shown)	AL635	P0492-014-00300	PT-Sensor cable KE, 300 mm (12") armored	1

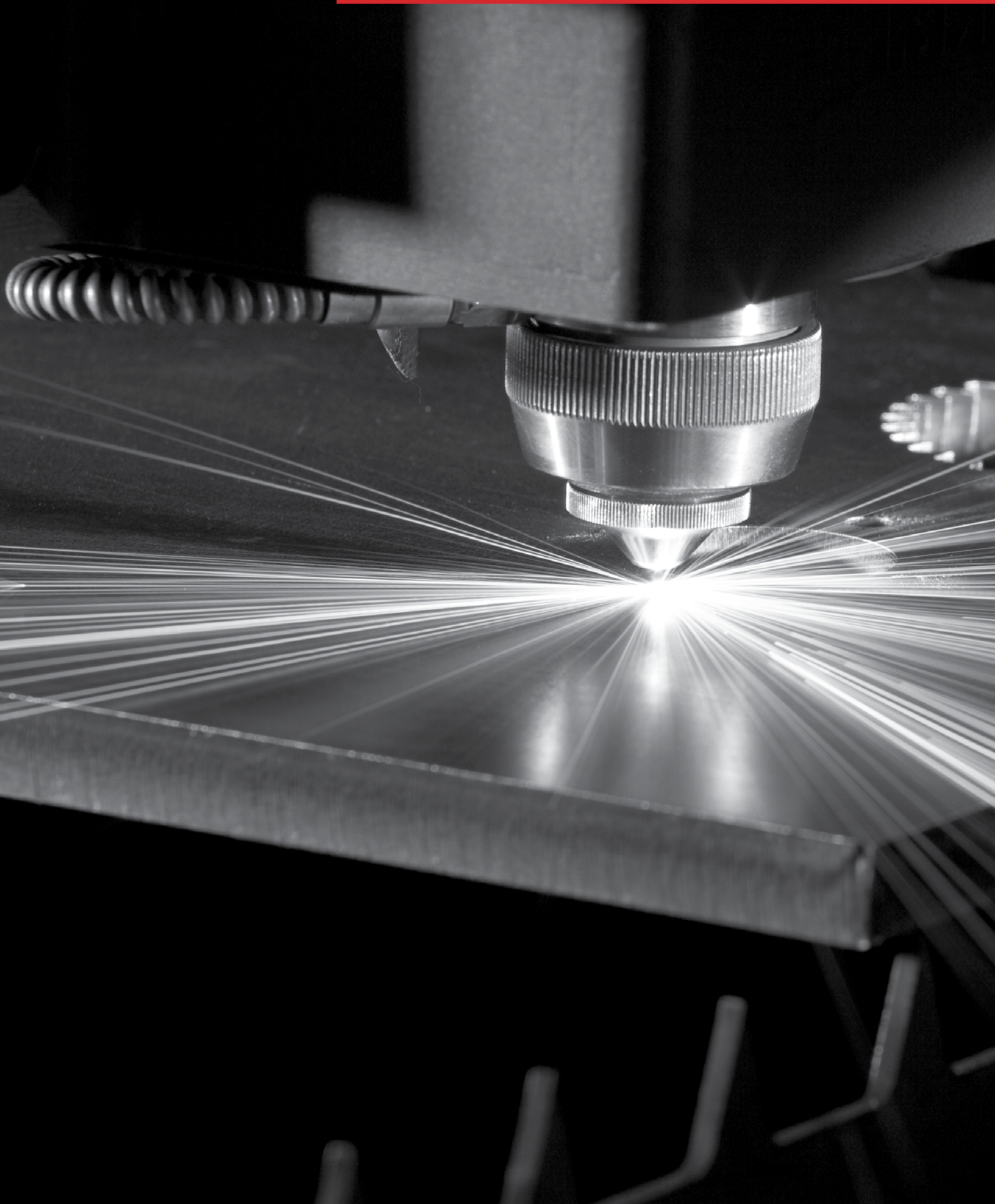
Consumables

	Centricut part number	Esse A part number	Reference number	Description	Pkg qty
1	PT356-0010X	L307610		PT-DBL NOZ 1.0-1.5MM 6Lobes (10PK)	10
	PT356-0125X	L307612		PT-DBL NOZ 1.2-1.5MM 6Lobes (10PK)	10
	PT356-0124X	L307614		PT-DBL NOZ 1.4-1.5MM 6Lobes (10PK)	10
	PT356-0015X	L307615		PT-DBL NOZ 1.5-1.5MM 6Lobes (10PK)	10
	PT356-0046X	L307616		PT-DBL NOZ 1.6-1.5MM 6Lobes (10PK)	10
	PT356-0018X	L307618		PT-DBL NOZ 1.8-1.5MM 6Lobes (10PK)	10
	PT356-0020X	L307620		PT-DBL NOZ 2.0-1.5MM 6Lobes (10PK)	10
	PT356-0023X	L307623		PT-DBL NOZ 2.3-1.5MM 6Lobes (10PK)	10
	PT356-0007X	L307625		PT-DBL NOZ 2.5-1.5MM 6Lobes (10PK)	10
	PT356-0008X	L307627		PT-DBL NOZ 2.7-1.5MM 6Lobes (10PK)	10
	PT356-0030X	L307630		PT-DBL NOZ 3.0-1.5MM 6Lobes (10PK)	10
	PT356-0031X	L307632		PT-DBL NOZ 3.2-1.5MM 6Lobes (10PK)	10
	PT356-0035X	L307635		PT-DBL NOZ 3.5-1.5MM 6Lobes (10PK)	10
	PT356-0040X	L307640		PT-DBL NOZ 4.0-1.5MM 6Lobes (10PK)	10
	PT356-0045X	L307645		PT-DBL NOZ 4.5-1.5MM 6Lobes (10PK)	10
	PT356-0050X	L307650		PT-DBL NOZ 5.0-1.5MM 6Lobes (10PK)	10

Consumables

	Centricut part number	Esse A part number	Reference number	Description	Pkg qty
	PT311-0787 (not shown)			PT-Insulating ring	1
	PT347-0920 (not shown)	AL221	46713330920	PT-Isolating ring outer body (Mazak)	1
	PT347-0520 (not shown)			PT-Insulating plate	1
	PT347-0940 (not shown)	AL353	46713330940	PT-Retaining ring	1
	PT347-1240 (not shown)	AL351	46713331240	PT-Torch outer body	1
	PT347-0930 (not shown)			PT-Spatter protection plate	1
	PT347-9006 (not shown)	AL356	HNP-006	PT-Connector cup, HNP	1

Centricut is not affiliated with the named manufacturers. Reference to machines, parts, descriptions, and model numbers are for convenience in verifying compatibility only. All parts are made by or for Centricut and are not made by the referenced manufacturers (unless expressly indicated). Centricut is a registered trademark of Hypertherm, Inc. All other trademarks are the properties of their respective owners.



Sensor cones



Centricut sensor cones provide substantial cost savings without sacrificing performance or quality

- Available for Amada, Mazak, Mitsubishi and Precitec
- Delivers the same OEM performance at a lower cost
- Unmatched performance and reliability
- Engineered and manufactured to Hypertherm's precise quality standards
- Backed by our one-year warranty and 100% satisfaction guarantee

Centricut part number	Esse A part number	OEM	Reference number	Description
AM343-0091	AL600	Amada	71360091	AM-Sensor cone, HS95 mini
AM343-1621*	AL601	Amada	71341621	AM-Sensor cone, HS95
AM343-9107	AL603	Amada	ECO cone	AM-Sensor cone, ECO
AM343-1690	AL602	Amada	71341690	AM-Sensor cone, HS98
AM343-L3015C	AL550	Amada	71374509	PT-Sensor cone, LC3015
AM343-2443		Amada	7172443, 771041	AM-Sensor cone, HPL Blue
AM343-4233B*	AL551	Amada	71564233	AM-Sensor cone, HPL Black
AM343-4233G*	AL552	Amada	71564233	AM-Sensor cone, HPL Gold
PT347-3323	AL611	Mazak	HNP	PT-Sensor cone, HNP
MZ335-HNPS*	AL605	Mazak	HNPS	MZ-Sensor cone, HNP short version
PT347-0007		Mazak	56743300500	PT-Sensor cone, HNZ (Mazak)
PT347-0011*	AL607	Mitsubishi	P0354-110-00002	PT-Sensor cone, HNZ (Mitsubishi)
MB334-W429A	AL604	Mitsubishi	P0461-270-00001	MB-Sensor cone, W429A
PT347-0238*	AL608	Precitec	BQ930D238G01	PT-Sensor cone, HNZ SMA
PT347-8001	AL612	Precitec	P0361-203-00001	PT-Sensor cone, 2.5Z/J
PT347-0522*	AL609	Precitec	P0599-520-00002	PT-Sensor cone, LRC
PT347-1145	AL610	Precitec	P0380-140-0002, P0380-130-00001, 281145	PT-Sensor cone, DZ

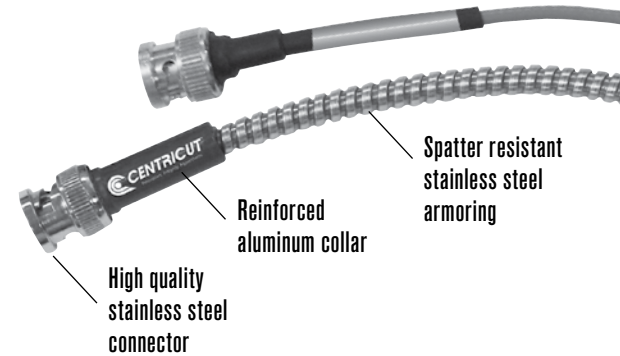
*Sensor cone repair service is available for most sensor cones in North America and select international regions. For more information contact Ctlaser@Hypertherm.com.

Centricut is not affiliated with the named manufacturers. Reference to machines, parts, descriptions, and model numbers are for convenience in verifying compatibility only. All parts are made by or for Centricut and are not made by the referenced manufacturers (unless expressly indicated). Centricut is a registered trademark of Hypertherm, Inc. All other trademarks are the properties of their respective owners.

Armored sensor cables

Centricut armored sensor cables outlast standard OEM cables

- Available for all major brands
- Robust design with extreme temperature rating (900–1200°)
- Longer life reduces downtime and production loss
- Spatter resistant stainless steel armoring
- Reinforced collars and high-quality connector



Armored sensor cables

Centricut part number	Esse A part number	OEM	Reference number	Description
AM308-8965	AL260	Amada	71398965	AM-Sensor cable, 305 mm (12")
AM308-8965A	AL613	Amada	71398965	AM-Sensor cable, 305 mm (12") armored
AM313-1901	AL200	Amada	71341630	AM-Sensor cable HS-5, 305 mm (12")
AM313-1901A		Amada	71341630	AM-Sensor cable HS-5, 305 mm (12") armored
AM313-8292	AL615	Amada	71398292	AM-Sensor cable dual shield, 7 m (275.6")
AM313-9851A		Amada	71369851	AM-Sensor cable, 203 mm (8") armored
CN306-0654A	AL616	Cincinnati	909654, 922686	CN-Sensor cable, 114 mm (4.5") armored
CN306-0951A	AL617	Cincinnati	842951	CN-Sensor cable, 140 mm (5.5") armored
CN306-2951	AL618	Cincinnati	842951, PLTTW0015	CN-Sensor cable, 140 mm (5.5")
CN306-9654	AL619	Cincinnati	909654, 922686, PLTTW0002	CN-Sensor cable, 114 mm (4.5")
MZ335-0111A	AL620	Mazak	4674330111	MZ-Sensor cable, 280 mm (11") armored
MZ335-0181A	AL621	Mazak	46743300181	MZ-Sensor cable, 317.5 mm (12.5") armored
MZ335-1330A	AL622	Mazak	46683301330	MZ-Sensor cable, 305 mm (12") armored
MZ335-1980A	AL643	Mazak	46683301980	MZ-Sensor cable, 280 mm (11") armored
MZ335-5320		Mazak	6143355320	MZ-Sensor cable, 61.5 mm (2.4") armored
MZ335-630A	AL623	Mazak	00BSBA630MNC	MZ-Sensor cable, 630 mm (25") armored
MZ335-8290	AL368	Mazak	46143308290	MZ-Sensor cable, 75 mm (3")
NT426-1682	AL624	NTC	4R029911-001, J482D	NT-Sensor cable, 216 mm (8.5")
NT426-4991	AL625	NTC	3-0104991	NT-Sensor cable 0-0BNC/MCX, 482 mm (19")
NT426-7492	AL626	NTC	3-0117492	NT-Sensor cable 90BNC/90BNC, 482 mm (19")
NT426-8677	AL627	NTC	4R028677-001	NT-Sensor cable, 508 mm (20") armored
PR361-3150	AL628	Prima	820.63.150	PR-Sensor cable, 150 mm (5.9")
PR361-3151	AL629	Prima	820.63.150	PR-Sensor cable, 150 mm (6") high profile
PR361-3160	AL560	Prima	555.63.150	PR-Sensor cable, 210 mm (8 17/64")
PT347-0101A	AL633	Precitec	P0360-100-00500	PT-Sensor cable, 500 mm (20") armored
PT347-0181	AL358	Precitec	46743300181	PT-Sensor cable, 305 mm (12") armored
PT347-0300A	AL635	Precitec	P0492-014-00300	PT-Sensor cable KE, 300 mm (11.8") armored
PT347-0450		Precitec	P0497-002-00450	PT-Sensor cable, 450 mm (17.7")
PT347-KS13	AL639	Precitec/ Gunkyo	00BMTKA-A-HS500mm	PT-Sensor cable, 390 mm (15.5") armored
PT347-1250	AL637	Precitec	D5001-040-00250	PT-Sensor cable, 250 mm (9.8") armored
TR301-0930	AL640	Trumpf	280930	TR-Sensor cable, 152 mm (6") armored
TR301-7833	AL641	Trumpf	227833	TR-Sensor cable, 432 mm (17")
TR301-9983	AL642	Trumpf	359983, 342474	TR-Sensor cable, 190 mm (7.5") armored

Centricut is not affiliated with the named manufacturers. Reference to machines, parts, descriptions, and model numbers are for convenience in verifying compatibility only. All parts are made by or for Centricut and are not made by the referenced manufacturers (unless expressly indicated). Centricut is a registered trademark of Hypertherm, Inc. All other trademarks are the properties of their respective owners.

Lens cleaning tips



Centricut supplies suitable for all OEM CO₂ and fiber laser lenses

- Lens maintenance base is designed to secure a wide range of optics sizes for the cleaning process
- Centricut optical cleaning fluid is a safe, economical alternative to traditional high-purity and reagent-grade solvents
- Cleaning materials suited for all lens cleaning needs; lens paper, polyester swabs and polyester wipes

Lens paper

Recommended for the routine maintenance cleaning of flat lenses.

Polyester swabs

Recommended for cleaning curved lenses and where a more aggressive cleaning is required (interchangeable with polyester wipes).

Polyester wipes

Recommended for cleaning CO₂ and fiber lenses and windows (interchangeable with polyester swabs and lens paper).

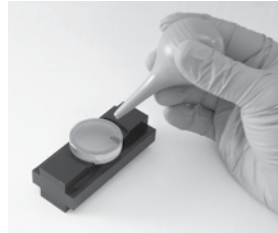
Product description	Part number	Quantity per order
Optical cleaning fluid (3 oz.)	TR300-1112	1
Lens cleaning swab	TR300-0699	25
Lens cleaning paper, Tiffen	TR300-6452	50
Polyester wipes 4" x 4"	TR300-7991	100
Base, lens maintenance	TR300-271	1

Lens paper

Recommended for the routine maintenance cleaning of flat lenses.

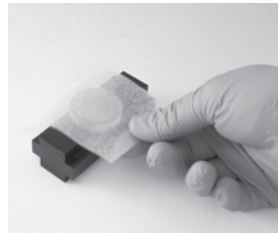
You will need:

- Lens maintenance base (lens holder)
- Optical cleaning fluid
- Air bulb
- Lint-free lens paper
- Latex or rubber gloves



To get started

Using rubber gloves, place the lens in the lens holder and remove all loose contaminants with an air bulb. When contaminants are no longer visible, begin the cleaning process.



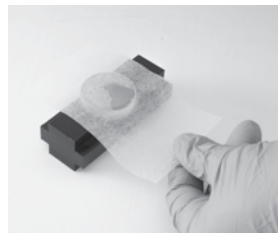
Step 1

Place lens paper over the optic, covering it completely.



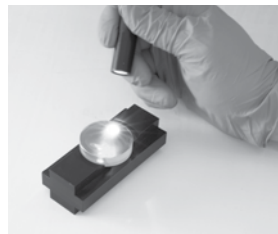
Step 2

Apply a couple drops of lens cleaning fluid to the lens paper (far side of the lens).



Step 3

Slowly pull the lens paper across the lens so the cleaning fluid comes in contact with the entire lens surface. Finish pulling the paper across so all of the fluid has dried from the lens.



Step 4

Inspect the surface of the lens for dust and cleaning residue using a flashlight. Examine the lens from different angles. Repeat the process on the other side of the lens.

Final step:

Place the cleaned lens in the machine quickly to avoid contamination from airborne particles. If spots, pits, or scratches are still noticeable, the lens may need to be replaced.

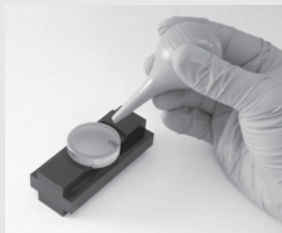
Centricut is not affiliated with the named manufacturers. Reference to machines, parts, descriptions, and model numbers are for convenience in verifying compatibility only. All parts are made by or for Centricut and are not made by the referenced manufacturers (unless expressly indicated). Centricut is a registered trademark of Hypertherm, Inc. All other trademarks are the properties of their respective owners.

Polyester swabs

Recommended for cleaning curved lenses and where more aggressive cleaning is required. Interchangeable with polyester wipes.

You will need:

- Lens maintenance base (lens holder)
- Optical cleaning fluid
- Air bulb
- Polyester swabs
- Latex or rubber gloves



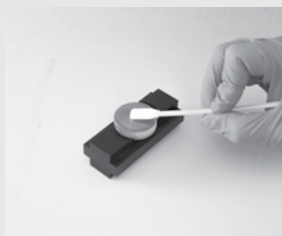
To get started

Using rubber gloves, place the lens in the lens holder and remove all loose contaminants with an air bulb. When contaminants are no longer visible, begin the cleaning process.



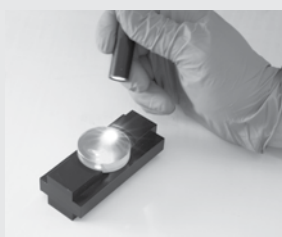
Step 1

Place a few drops of the optical cleaning fluid onto the swab.



Step 2

Move the larger dirt particles and then finer contaminants to the edge of the lens using the swab. Do not rest the swab on the lens or on the work table. Do not reuse swabs.



Step 3

Inspect the surface of the lens for dust and cleaning residue using a flashlight. Examine the lens from different angles. Repeat the process on the other side of the lens.

Final step:

Place the cleaned lens in the machine quickly to avoid contamination from airborne particles. If spots, pits, or scratches are still noticeable, the lens may need to be replaced.

Polyester wipes

Recommended for cleaning CO₂ and fiber lenses and windows. Interchangeable with polyester swabs and lens paper.

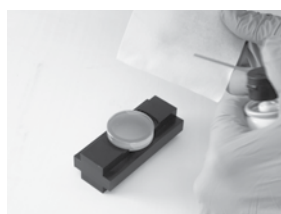
You will need:

- Lens maintenance base (lens holder)
- Optical cleaning fluid
- Air bulb
- Polyester wipes
- Latex or rubber gloves



To get started

Using rubber gloves, place the lens in the lens holder and remove all loose contaminants with an air bulb. When contaminants are no longer visible, begin the cleaning process.



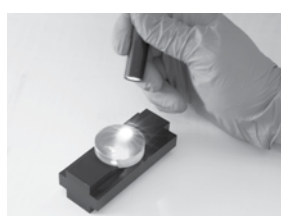
Step 1

Place a few drops of the optical cleaning fluid onto the polyester wipe.



Step 2

Place the wipe with the wet side down on the lens and slide it across the lens, applying light pressure to the top of the wipe. Avoid contamination to the wipe and do not reuse wipes.



Step 3

Inspect the surface of the lens for dust and cleaning residue using a flashlight. Examine the lens from different angles. Repeat the process on the other side of the lens.

Final step:

Place the cleaned lens in the machine quickly to avoid contamination from airborne particles. If spots, pits, or scratches are still noticeable, the lens may need to be replaced.

Steps to help optimize cut quality.

Striation marks, angularity and dross tell the story.

Optimizing CO₂ and fiber lasers to achieve maximum cut quality is a very important step in the overall cutting process. The critical points that produce good cuts are the width of the kerf (the material that is lost during the cut), oxidation and roughness of the cut surface, the geometry of the cut parts and the allowable tolerances. Some factors to be considered are the cut speed or 'feed rate', beam focus, gas pressure, standoff and nozzle size/type.

Factory cut chart settings

The following samples show 12 mm, 6 mm and 3.2 mm (1/2", 1/4" and 10 ga.) mild steel, cut with O₂ on a 2 kW fiber laser with one variable changed to show how cut quality is affected. The adjustments will be similar for all CO₂ and fiber laser, cutting mild steel with O₂.

Is the kerf too narrow?

When the kerf is too narrow the cut will have a very smooth edge on the top, a lack of oxidation on the bottom and/or heavy dross.

Probable causes:

- Focus is too low
- Feed rate is too fast
- Gas pressure is too low
- Nozzle size is too small
- Standoff is too low

Follow these steps to optimize cut quality:

1. Use the closest known settings for the material being cut.
2. Use a test part that has both interior and exterior features.
3. Verify that the lens and/or window is clean and in good condition.
4. Verify that the nozzle is centered properly and is in good condition.
5. Adjust the focus up and down until the cut quality starts to get bad and then set to the middle of that range.
6. Adjust the gas pressure up and down until the cut starts to get bad and then set to the middle of that range.
7. Adjust the feed rate up by 5% increments. When the cut starts to get bad, set the feed rate 10% slower.

Strike a balance between heat levels and gas flow

Cutting mild steel with a laser is a balance of how much material is heated by the laser beam and how much assist gas flows through the cut.

- Heating up too small of an area, or not having enough assist gas flow through the cut will result with the kerf (width of the cut) being too narrow.
- Heating up too large of an area or having too much assist gas flow through the cut will result in the kerf being too wide.

Is the kerf too wide?

When the kerf is too wide the cut will have a rougher edge, more self burning in the corners of the part, more angularity on the cut edge and occasionally, dross.

Probable causes:

- Focus is too high
- Feed rate is too slow
- Gas pressure is too high
- Nozzle size is too big
- Standoff is too high
- Incorrect nozzle type

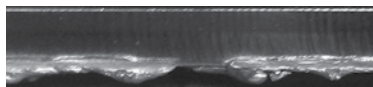
3.2 mm (10 ga.) mild steel cut resulting in too narrow kerf

Factory cut chart settings



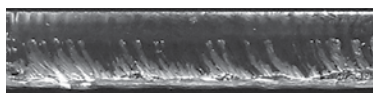
Focus is too low

The kerf is too narrow and doesn't allow enough O₂ into the cut to remove all the molten material.



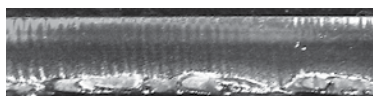
Feed rate is too fast

The cut striations are trailing the direction of cutting and there is not enough time to remove all the molten material.



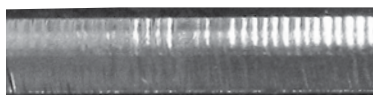
Gas pressure is too low

There is not enough O₂ to remove all the molten material.



Stand off is too low

The focus spot is in the wrong location, causing the rough edge.



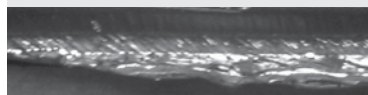
3.2 mm (10 ga.) mild steel cut resulting in too wide kerf

Factory cut chart settings



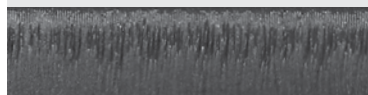
Focus is too high

The laser is melting more material than can be removed from the cut.



Feed rate is too slow

The cut surface is too rough and productivity is decreased.



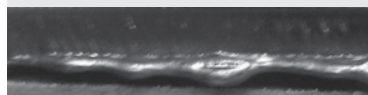
Gas pressure is too high

Too much O₂ results in overheating of the cut and causes intermittent gouges.



Stand off is too high

The laser is melting more material than can be removed from the cut.



Nozzle size is too big

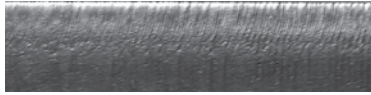
Too much O₂ results in overheating of the cut and causes intermittent gouges.



*Above samples have been cut with O₂ on 2 kW fiber laser. Results will be similar for CO₂ laser cutting mild steel with O₂.

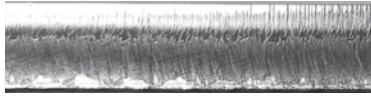
6 mm (1/4") mild steel cut resulting in too narrow kerf

Factory cut chart settings



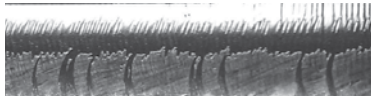
Focus is too low

The kerf is too narrow and doesn't allow enough O₂ into the cut to remove all the molten material.



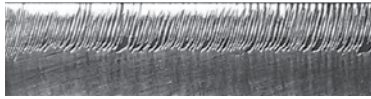
Feed rate is too fast

The cut striations are trailing the direction of cutting and there is not enough time to remove all the molten material.



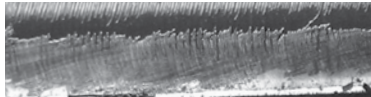
Gas pressure is too low

There is not enough O₂ to remove all the molten material.



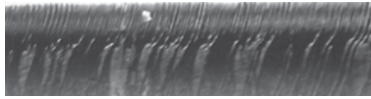
Stand off is too low

The focus spot is in the wrong location, causing the rough edge.



Nozzle size is too small

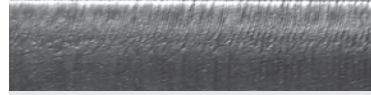
There is not enough O₂ to cut uniformly.



Cut direction

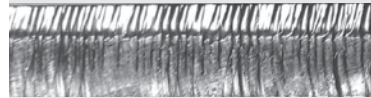
6 mm (1/4") mild steel cut resulting in too wide kerf

Factory cut chart settings



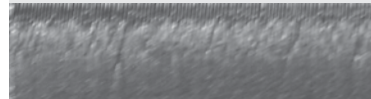
Focus is too high

The wider focus spot is letting too much O₂ into the cut and burning the material.



Feed rate is too slow

The cut surface is too rough and productivity is decreased.



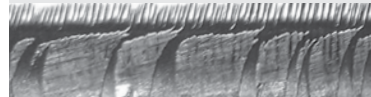
Gas pressure is too high

Too much O₂ is entering the cut, causing a rougher edge and inconsistent cutting.



Stand off is too high

Too much O₂ is entering the cut, causing a rougher edge and inconsistent cutting.



Nozzle size is too big

Too much O₂ results in overheating of the cut and causes intermittent gouges.



Nozzle type is incorrect

The shape of the gas flow is incorrect, causing a rougher edge.



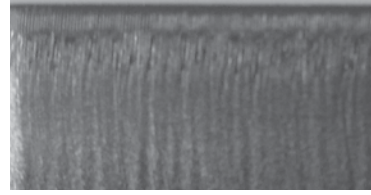
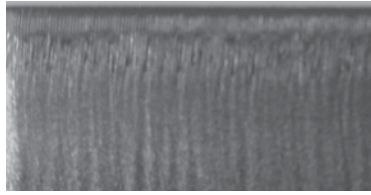
Cut direction

*Above samples have been cut with O₂ on 2 kW fiber laser. Results will be similar for CO₂ laser cutting mild steel with O₂.

Centricut is not affiliated with the named manufacturers. Reference to machines, parts, descriptions, and model numbers are for convenience in verifying compatibility only. All parts are made by or for Centricut and are not made by the referenced manufacturers (unless expressly indicated). Centricut is a registered trademark of Hypertherm, Inc. All other trademarks are the properties of their respective owners.

12 mm (1/2") mild steel cut resulting in too narrow kerf

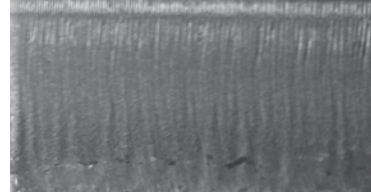
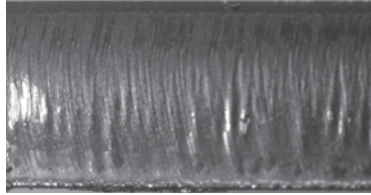
Factory cut chart settings



Factory cut chart settings

Focus is too low

The kerf is too narrow and doesn't allow enough O₂ into the cut to remove all the molten material.

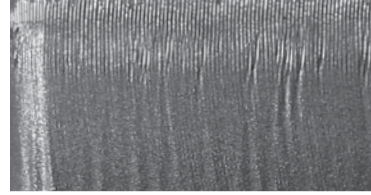
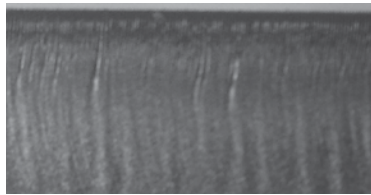


Stand off is too low

The kerf is too narrow to allow enough O₂ into the cut. The oxidation is not covering the entire surface and cutting will be inconsistent.

Feed rate is too fast

The machine is moving too fast to allow enough O₂ into the cut for consistent cutting.

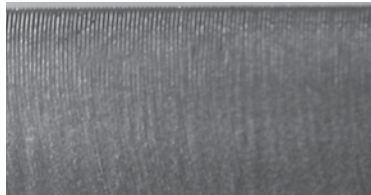


Nozzle size is too small

There is not enough O₂ to cut uniformly.

Gas pressure is too low

The pressure is too low to allow enough O₂ into the cut. The oxidation is not covering the entire surface and cutting will be inconsistent.



Cut direction

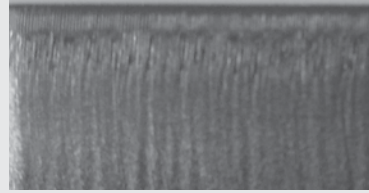
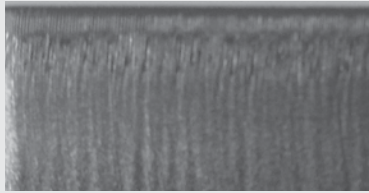
Cut direction

*Above samples have been cut with O₂ on 2 kW fiber laser. Results will be similar for CO₂ laser cutting mild steel with O₂.

Centricut is not affiliated with the named manufacturers. Reference to machines, parts, descriptions, and model numbers are for convenience in verifying compatibility only. All parts are made by or for Centricut and are not made by the referenced manufacturers (unless expressly indicated). Centricut is a registered trademark of Hypertherm, Inc. All other trademarks are the properties of their respective owners.

12 mm (1/2") mild steel cut resulting in too wide kerf

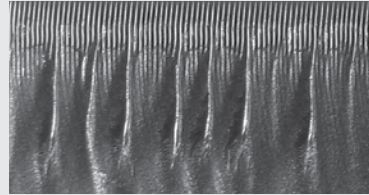
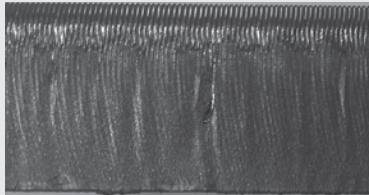
Factory cut chart settings



Factory cut chart settings

Focus is too high

Too much O₂ is entering the cut causing intermittent over burning.

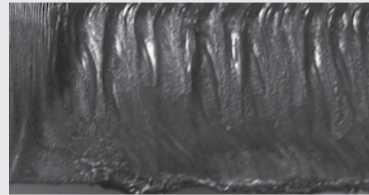
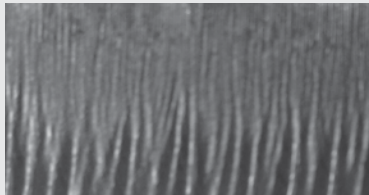


Stand off is too high

Too much O₂ is entering the cut resulting in intermittent over burning.

Feed rate is too slow

The machine is moving too slow resulting in the over burning of the bottom half of the cut. The slower feed rate also reduces productivity.

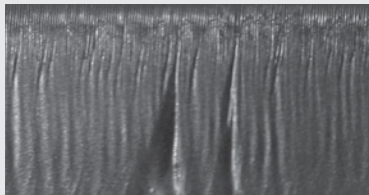


Incorrect nozzle type

The gas flow shape is not correct resulting in inconsistent cutting.

Gas pressure is too high

Too much O₂ is entering the cut resulting in intermittent over burning.



*Above samples have been cut with O₂ on 2 kW fiber laser. Results will be similar for CO₂ laser cutting mild steel with O₂.

Centricut is not affiliated with the named manufacturers. Reference to machines, parts, descriptions, and model numbers are for convenience in verifying compatibility only. All parts are made by or for Centricut and are not made by the referenced manufacturers (unless expressly indicated). Centricut is a registered trademark of Hypertherm, Inc. All other trademarks are the properties of their respective owners.

Technical support and customer service

Our technical service team can answer questions about any laser cutting system. Whether it's a question about a part, a system or for guidance on how to optimize laser cutting performance, our experts can help.

- OEM trained technicians with over 40 years experience
- Free application support for all laser OEMs
- We stand behind our products with industry-leading technical expertise

A photograph showing three men in a factory environment. They are gathered around a large industrial control panel for a laser cutting machine. The man on the left is wearing safety glasses and a light blue shirt, looking intently at the machine's screen. The man in the middle is also wearing safety glasses and a light blue shirt, looking towards the right. The man on the right is wearing safety glasses and a dark shirt, looking towards the machine. The control panel features a large touchscreen displaying a software interface with various buttons and graphs. Below the screen are several physical buttons and a prominent red emergency stop button. The background is slightly blurred, showing industrial equipment and a factory setting.

Contact a laser expert at ctlaser@hypertherm.com

SHAPING POSSIBILITY[®]

PLASMA | LASER | WATERJET | AUTOMATION | SOFTWARE | CONSUMABLES

For more information on Centricut laser products,
visit www.hypertherm.com/laserconsumables
or email ctlaser@hypertherm.com

Hypertherm, Centricut, SilverLine and CoolFlow are trademarks of Hypertherm, Inc., and may be registered in the United States and/or other countries. All other trademarks are the property of their respective owners.

Please visit www.hypertherm.com/patents for more details about Hypertherm Associates patent numbers and types.

© 1/2024 Hypertherm, Inc. Revision 12



As 100% Associate owners, we are all focused on delivering a superior customer experience.
www.hyperthermassociates.com/ownership

Environmental stewardship is one of Hypertherm Associates' core values. www.hyperthermassociates.com/environment

100% Associate-owned

